

# Counter-Shutter

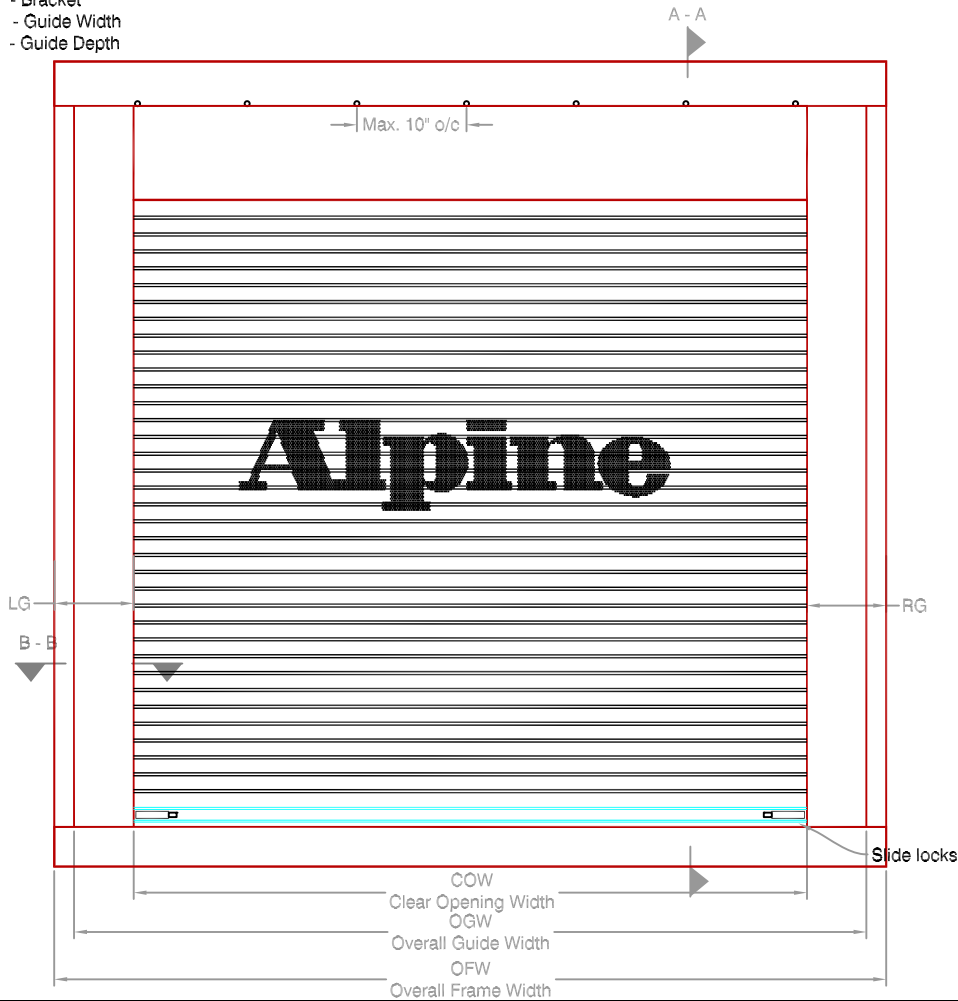


## INTEGRAL FRAME Split-FRAME FRAMED ROLLING COUNTER SHUTTERS

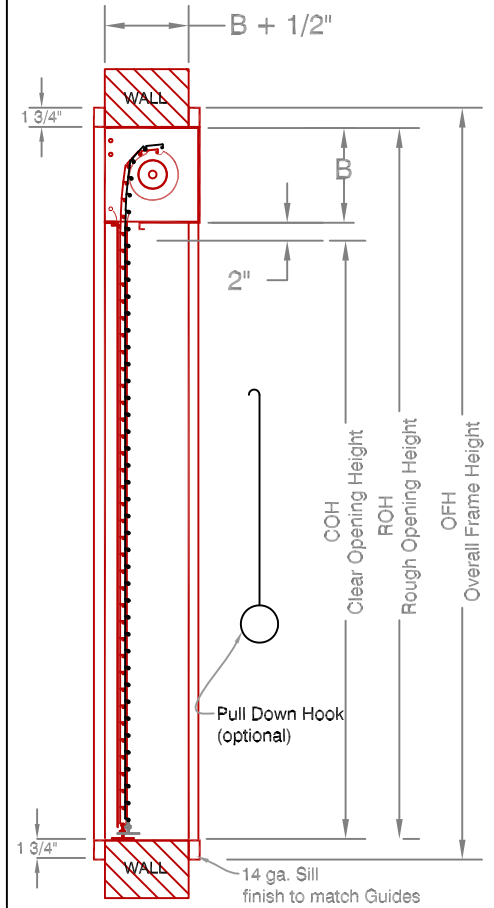
Manual Push-up Operated  
Between Jamb Mounted

Page#: Page 1

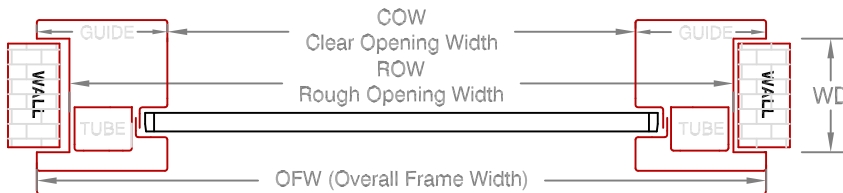
LG - Left Guide  
RG - Right Guide  
B - Bracket  
GW - Guide Width  
GD - Guide Depth



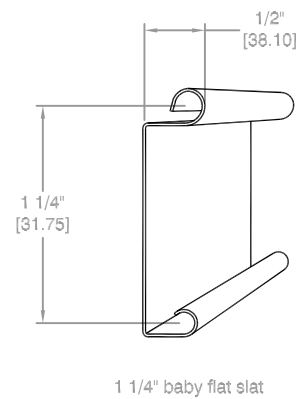
COIL SIDE ELEVATION



VERTICAL SECTION A - A



GUIDE SECTION B - B



CURTAIN DETAIL

**Notes:**

1. See page 2 for more options.
2. All metric conversions of dimensions are shown in brackets [ ].

SALES REP: \_\_\_\_\_

CUSTOMER: \_\_\_\_\_

JOB NAME: \_\_\_\_\_

NUMBER: \_\_\_\_\_

Manufactured by:

**Alpine**<sup>®</sup>  
OVERHEAD DOORS, INC.  
8 HULSE ROAD EAST SETAUKET, N.Y. 11733  
TEL: (631)473-9300 FAX: (631)642-0800  
© COPYRIGHT MAY 2007

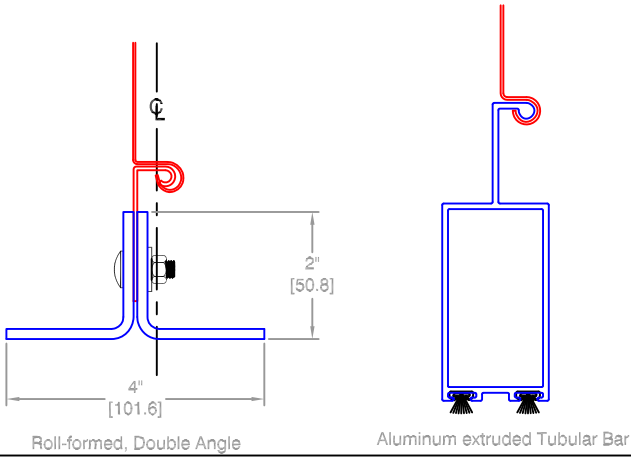
# Counter-Shutter

## INTEGRAL FRAME **Split-FRAME** FRAMED ROLLING COUNTER SHUTTERS

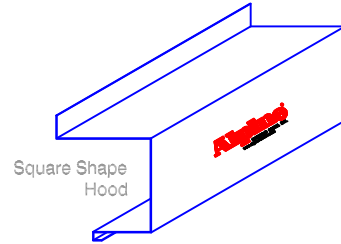
Manual Push-up Operated  
Between Jamb Mounted

Page#:

Page 2



**BOTTOM BAR OPTIONS**



**HOOD SHAPE**



Neoprene Astragal

**OBSTACLE EDGES AVAILABLE**

Distributed By:

Call your Alpine representative for additional options and safety products to help find the best Alpine door to suit your needs.

Manufactured by:

**Alpine**<sup>®</sup>  
OVERHEAD DOORS, INC.

8 HULSE ROAD EAST SETAUKET, N.Y. 11733

TEL: (631)473-9300 FAX: (631)642-0800

© COPYRIGHT MAY 2007