

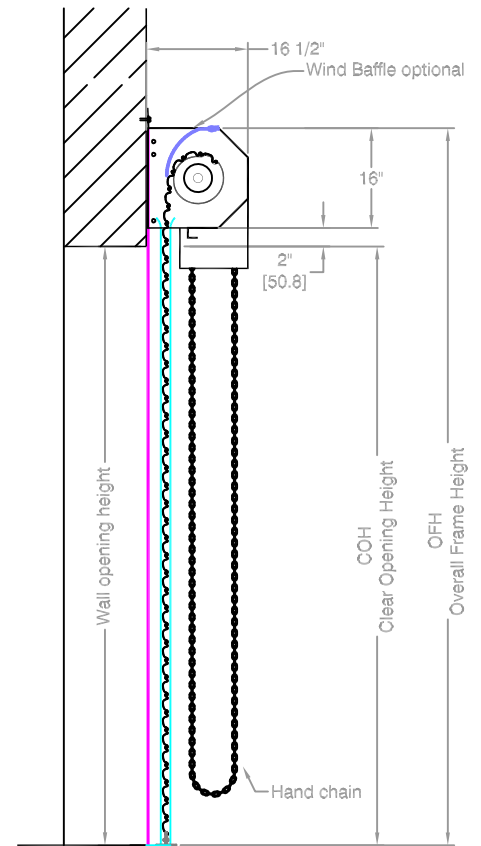
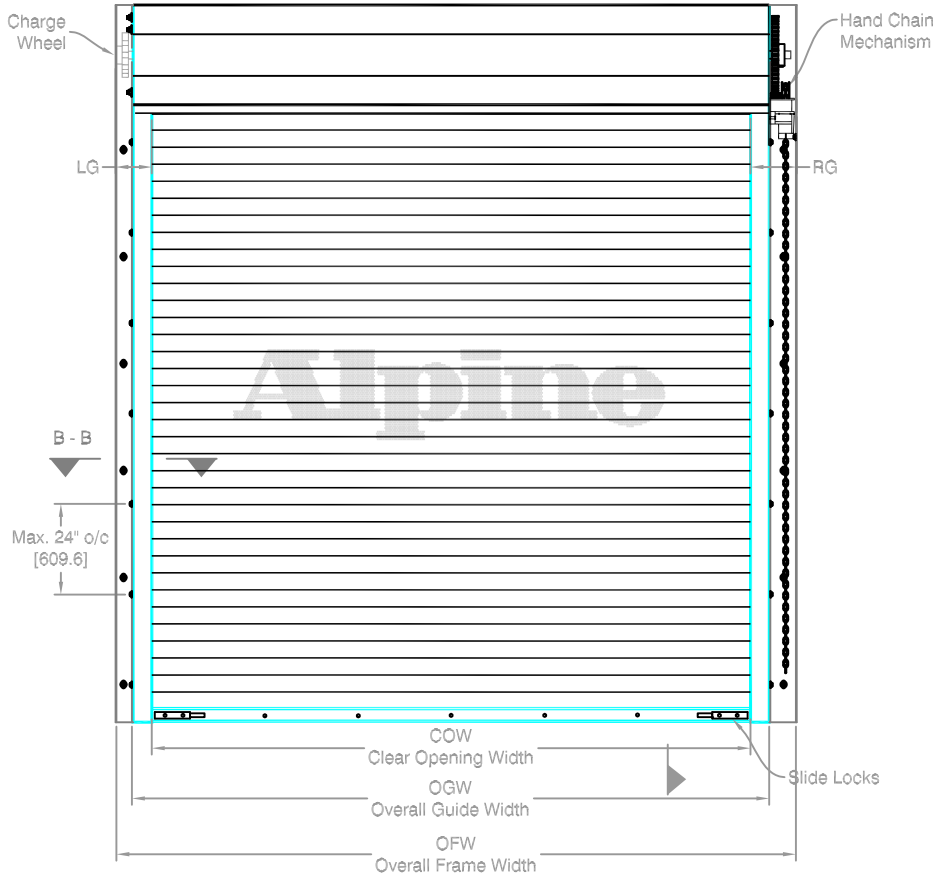


Hand Chain Operated  
Face of Wall Mounted

Page#: Page 1

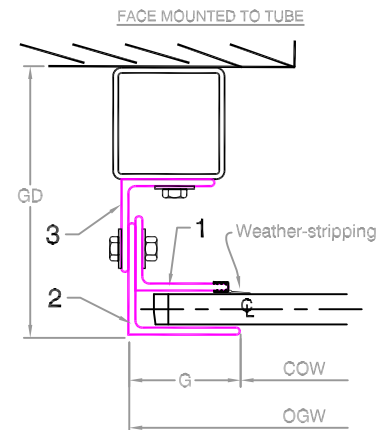
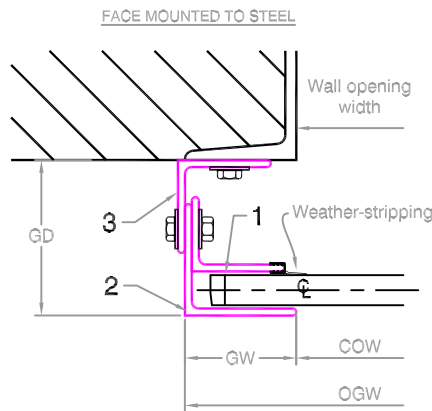
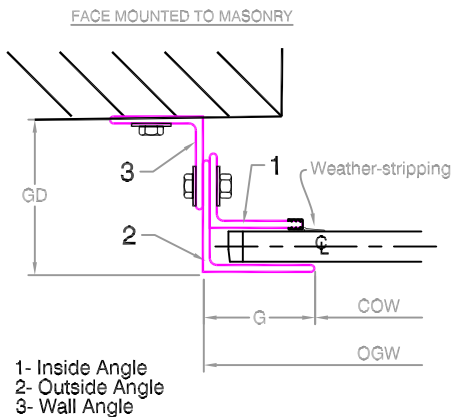
LG - Left Guide  
RG - Right Guide  
B - Bracket  
GW - Guide Width  
GD - Guide Depth

A - A



COIL SIDE ELEVATION

VERTICAL SECTION A - A



1- Inside Angle  
2- Outside Angle  
3- Wall Angle

GUIDE SECTION B - B

**Notes:**

- See page 2 for more options.
- All metric conversions of dimensions are shown in brackets [ ].

SALES REP:

CUSTOMER:

JOB NAME:

NUMBER:

Manufactured by:



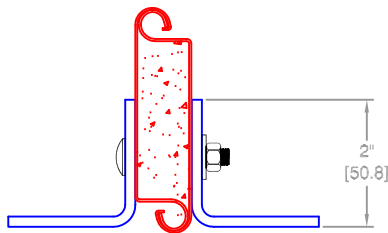
8 HULSE ROAD EAST SETAUKET, N.Y. 11733  
TEL: (631)473-9300 FAX: (631)642-0800  
© COPYRIGHT MAR 2007



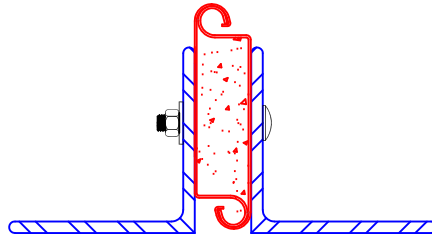
Hand Chain Operated  
Face of Wall Mounted

Page#:

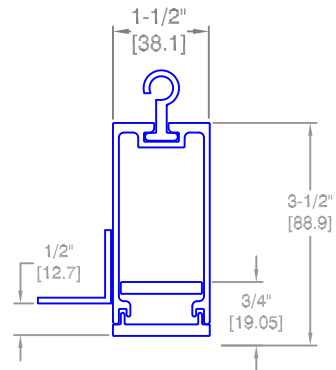
Page 2



Roll-formed, Double Angle

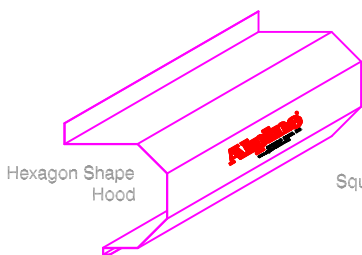


Structural Steel  
Double Angle

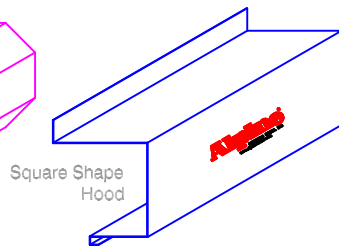


Aluminum extruded Tubular Bar

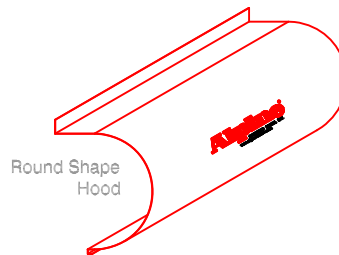
## BOTTOM BAR DETAIL



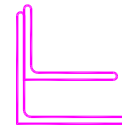
Hexagon Shape  
Hood



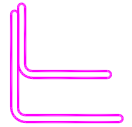
Square Shape  
Hood



Round Shape  
Hood



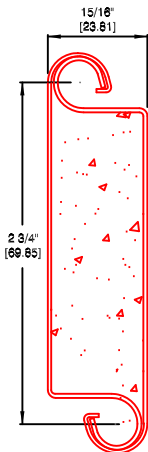
Structural  
Angles Guide



Roll-Formed  
Angles Guide

## HOOD SHAPES AVAILABLE FOR THIS DOOR

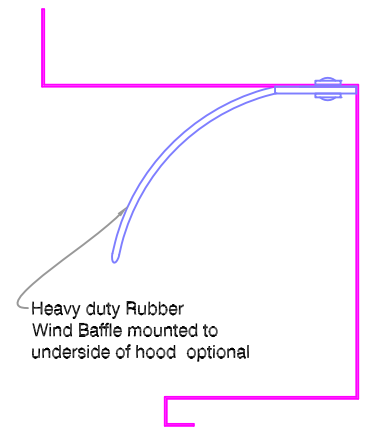
## GUIDE OPTIONS



IMB V8 roll formed IMB flat slat sections  
w/ styrofoam insulation



Neoprene Astragal



Heavy duty Rubber  
Wind Baffle mounted to  
underside of hood optional

## CURTAIN DETAIL

## OBSTACLE EDGES AVAILABLE

## WIND BAFFLE DETAIL

Distributed By:

Call your Alpine representative for additional options and safety products to help find the best Alpine door to suit your needs.

Manufactured by:

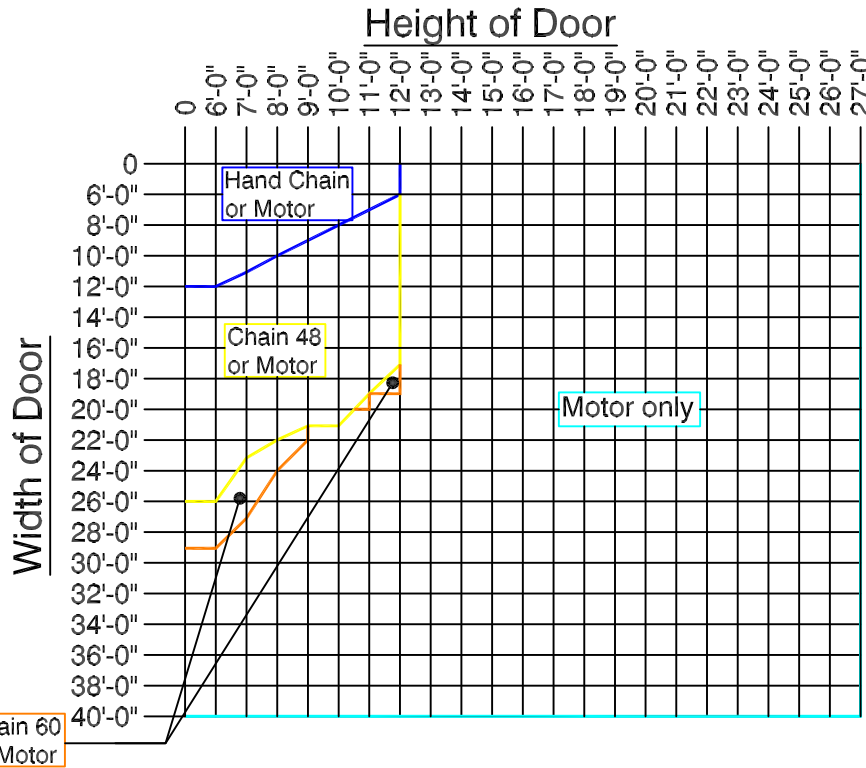


OVERHEAD DOORS, INC.  
8 HULSE ROAD EAST SETAUKET, N.Y. 11733  
TEL: (631)473-9300 FAX: (631)642-0800  
© COPYRIGHT MAY 2007

NOTE: MAXIMUM PIPE DEFLECTION ON ANY SIZE DOOR IS .034



Finding the minimum required operation for the size door you need.



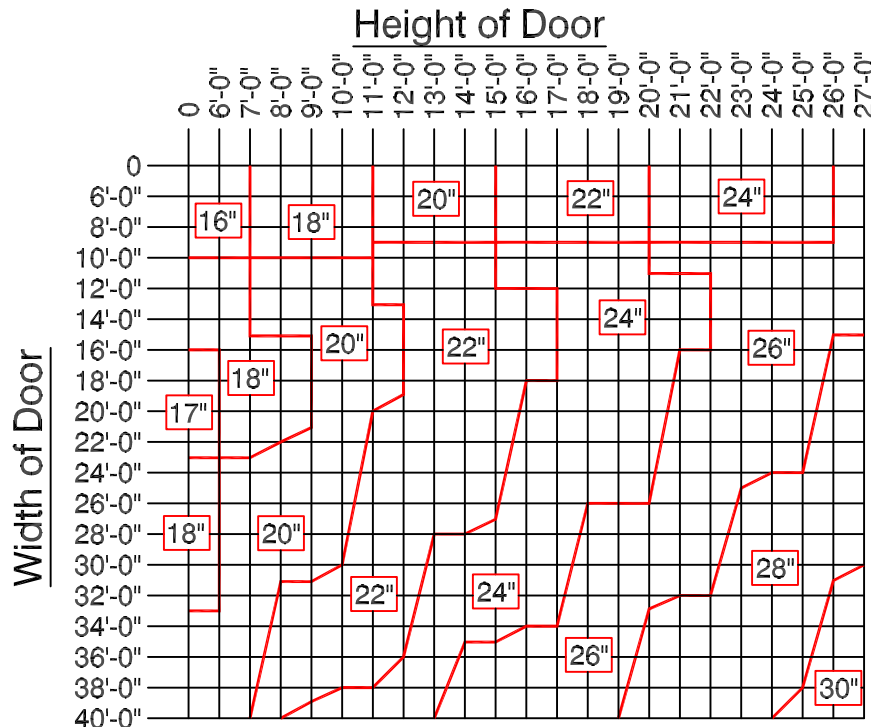
Operator Legend

- Manual Push Up Operation
- Hand Chain Operation
- Hand Chain w/ Gear reduced 48
- Hand Chain w/ Gear reduced 60
- Motor Operation Only

To use Chart: Find where your door width and height meet to find the minimum operation that may be used for that door size.

For example: The blue line indicates a Hand Chain Operation. Any size door on that line or above that line may use a Hand Chain, including the door sizes that fall into the Manual push up door. But, The Manual push up door may not be used for any door size below the line representing Push up operation. For any door size larger than what is represented here please consult your Alpine Overhead Doors, Inc. Factory. This Graph is for reference only, subject to change without notice.

Finding the minimum required bracket size for the door you need.



NOTE: Bracket sizes may vary based on gauge of curtain. Bracket size is directly related to the pipe low moment arm deflection (not more than .03 inches per foot).

To use Chart: Find where your door width and height meet to find the minimum bracket size for your door. For any door size larger than what is represented here please consult your Alpine Overhead Doors, Inc. Factory. This Graph is for reference only, subject to change without notice.

Distributed By:

Manufactured by:



8 HULSE ROAD EAST SETAUKET, N.Y. 11733  
 TEL: (631)473-9300 FAX: (631)642-0800  
 © COPYRIGHT DEC 2006