

SPECIFICATIONS

GENERAL

Fire Rated Counter Door as manufactured by Alpine Overhead Doors, Inc. (ISO 9001: 2000 Registered Company)

CURTAIN

The curtain consists of interlocked flat faced slats, 1/2" deep, made of either 22 gauge galvanized steel, stainless steel or prime painted. (Finish Option: baked enamel or powder coated)

GUIDES

Steel guides are #12 gauge frame encased and fitted with removable bellmount curtain stops, to allow for curtain maintenance without removal of the guides. Bellmount stops shall be flush with the guide groove.

COUNTERBALANCE ASSEMBLY

The steel pipe barrel is a size capable of carrying a curtain load with a max. deflection of 0.03" per foot opening width. The helical torsion spring is encased in a barrel designed to require minimum effort to operate the rolling curtain and bottom bar.

OPERATION

Available in push-up, hand chain, or motor operation (for optional features see the motor operators section in this catalog) Consult factory for other available fire protection release devices.

LOCKING

Doors are equipped for latching by slide bolts. Padlocks by others. (Option: cabinet type cylinder lock or Masterkeyable cylinder lock operable from both the coil side or opposite the coil side.

FINISHES (OPTIONAL)

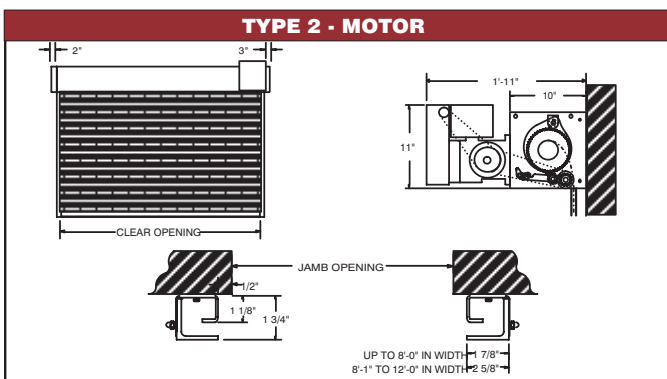
Phosphate treated and finished with a baked enamel paint. Alpine Doors offer's 186 durable powder coating colors. Stainless steel, #4 finish. All other exposed ferrous surfaces are prime painted.

LABEL

Fire Rated Counter Shutter Doors will bear a 3 hour U.L. label for locations, as listed, and will be manufactured in accordance with the requirements of U.L. classified procedures.

INSTALLATION

1. Preparation of the opening and installation of the fire door are to be performed in strict compliance with NFPA-80. 2. At the time of installation, the installer/ distributor is (a) to test the operation of the fire door in compliance with NFPA-80 and (b) to attest that the operation of door is in full compliance with NFPA-80.



FIRE SHUT®

COUNTER-SHUTTER FIRE DOOR
U.L. 1-1/2, 2, AND 3 HOUR CLASS A,B,C RATING



SAFETY PRODUCTS

SEE THE SAFETY PRODUCTS ON PAGE 19 OF THIS CATALOG FOR ADDITIONAL SAFETY PRODUCTS AND FEATURES FOR ALPINE DOORS AND COUNTER SHUTTERS.

SLAT DESIGN OPTIONS



TYPE 4 - PUSH UP

