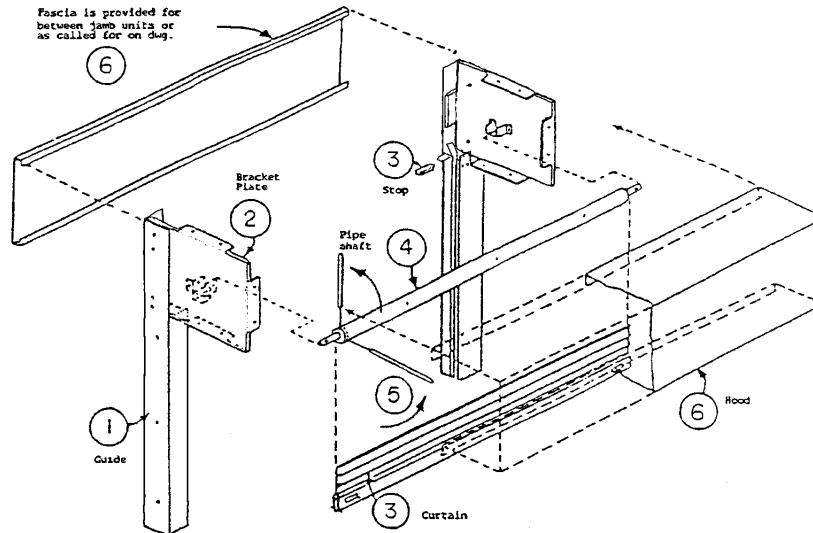


INSTALLATION INSTRUCTIONS - COUNTER SHUTTERS



NOTE: FACE OF WALL AND BETWEEN JAMB SHUTTERS HAVE A SLIGHTLY DIFFERENT GUIDE TYPE

Measure the opening prior to the attachment of any materials to the structure. Refer to your field print for width and height

1. Mount guide set, to the wall, spaced apart exactly as shown on field print. Holes are pre-drilled for type mounting required.
2. Affix bracket plates to wall angle. NOTE: The brackets are to be even in height with the top of the wall angles and level to each other. Check overall height, adjust if required. Check between bracket plate dimension.
3. Remove the stops from the guide sets and insert the curtain into the guides. The curtain must pass on the opposite coil side and the flush side must be facing out. With the curtain fully closed reattach the stops.
4. Set pipe shaft assembly into pockets affixed on bracket plates. (refer to the markings on the pipe for proper placement) for example, the end marked RH goes into the pocket on the right hand bracket, when facing the coil side of the door. Insert the bolts, through the shaft, into the pockets and secure tightly with nut. **DO NOT BOLT CURTAIN TO PIPE AT THIS TIME.**
5. To place tension on the pipe shaft assembly, two drift pins are needed in conjunction with the holes in the left end of the pipe.
 - a) With the curtain fully closed, and standing on the inside, place a clamp on the curtain to keep it in position.
 - b) Insert one of the drift pins into a hole in the pipe and begin to push the pin upward until you can insert a second pin into the next hole. Repeat this process to add tension.
CAUTION: DO NOT OVER TENSION, SPRING MAY COLLAPSE, RESULTING IN IMPROPER OPERATION OF THE DOOR.
WARNING: USE EXTREME CAUTION WHEN GIVING TENSION, SERIOUS INJURY OR DEATH MAY OCCUR.
6. Install hood, and fascia (if equipped), using self tapping screws.