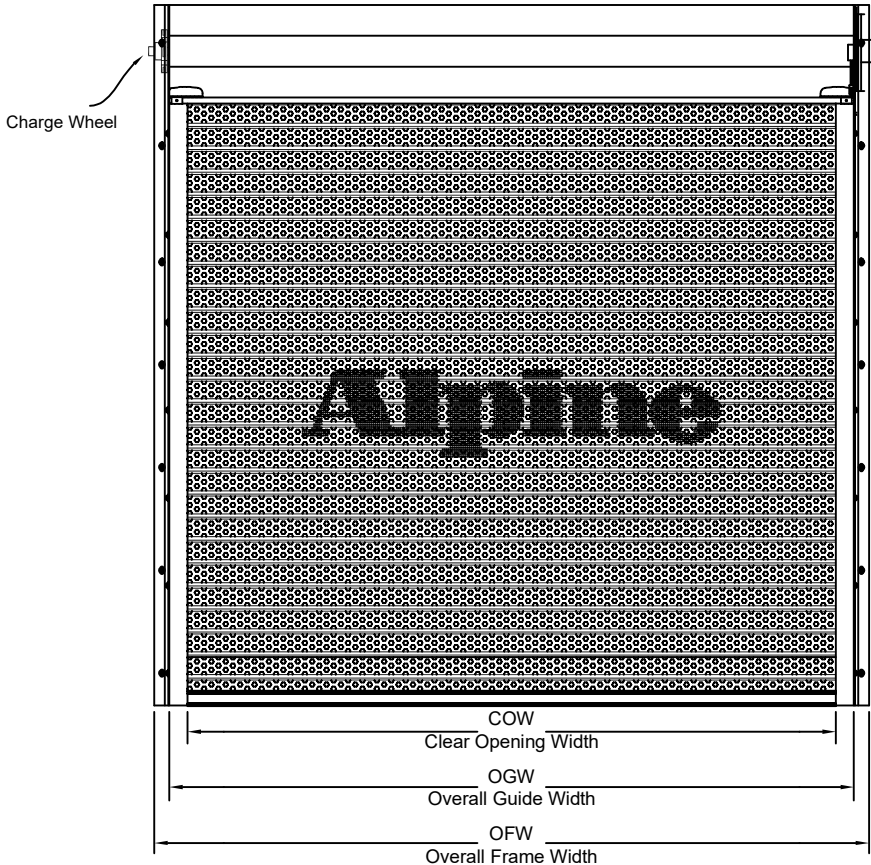




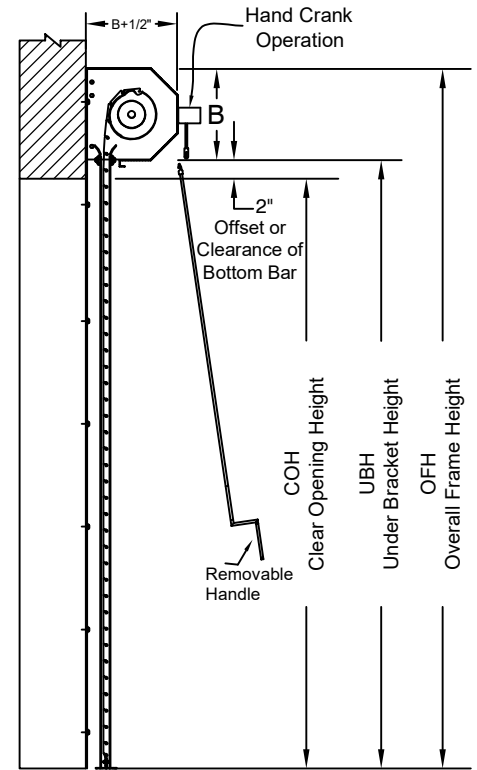
Hand Crank Operated  
Between Jamb Mounted

Page #:

Page 1

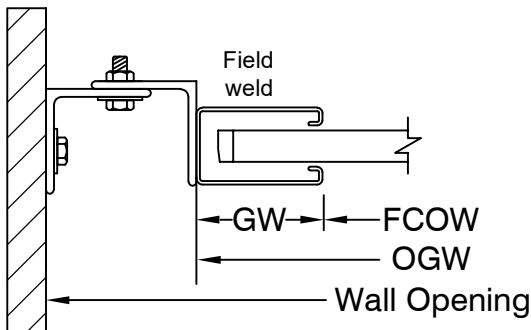


**COIL SIDE ELEVATION**

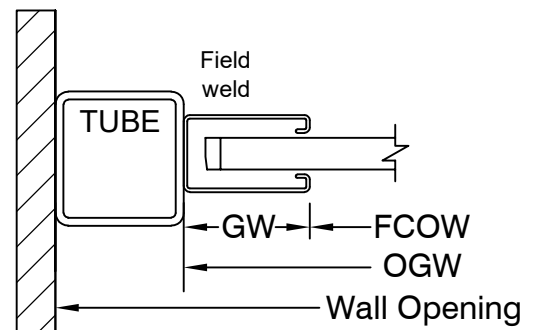


**VERTICAL SECTION**

**BETWEEN JAMB MOUNTED (PACKOUT)**



**BETWEEN TUBE MOUNTED**



**GUIDE SECTION**

**Notes:**

1. See page 2 for more options.

SALES REP.:

CUSTOMER:

JOB NAME:

NUMBER:

Manufactured by:

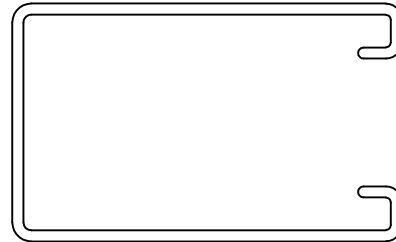
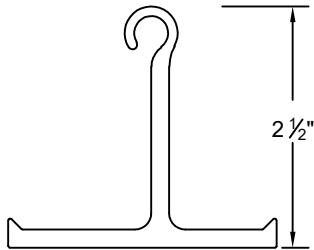


OVERHEAD DOORS, INC.  
8 HULSE RD. E. SETAUKET, N.Y. 11733  
TEL: (631)473-9300 FAX: (631)642-0800  
© COPYRIGHT January 2021  
www.alpinedoors.com



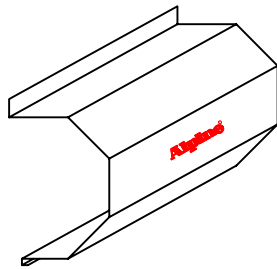
Motor Operated  
Face of Wall Mounted

Page #: Page 2

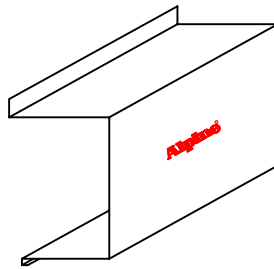


BOTTOM BAR DETAIL

GUIDE DETAIL

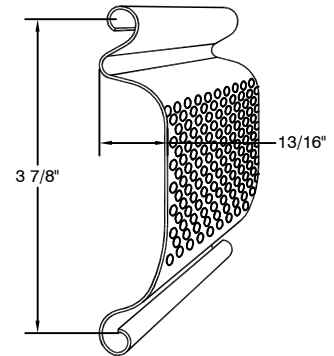


Hexagon Hood



Square Hood

HOOD SHAPES AVAILABLE FOR THIS DOOR



CURTAIN

Call your Alpine representative for additional options and safety products to help find the best Alpine door to suit your needs.

Manufactured by:



OVERHEAD DOORS, INC.  
8 HULSE RD. E. SETAUKET, N.Y. 11733  
TEL: (631)473-9300 FAX: (631)642-0800  
© COPYRIGHT January 2021  
www.alpinedoors.com