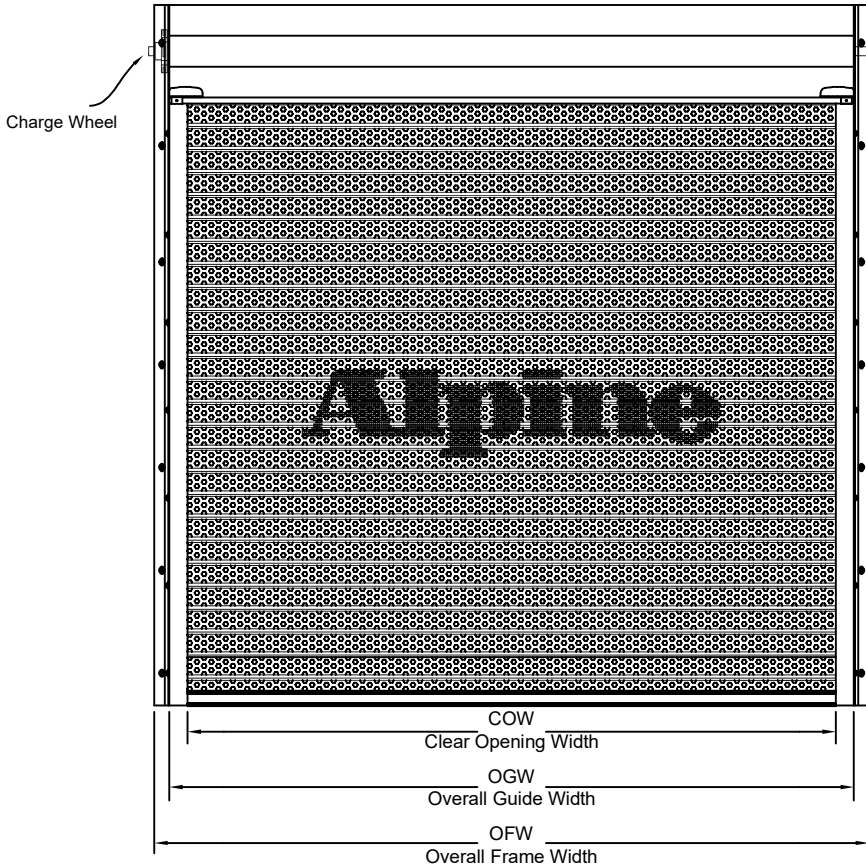




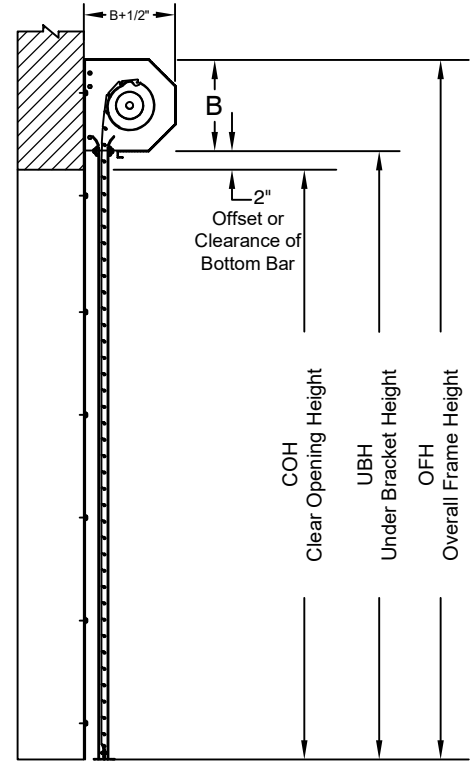
Push Up Operated
Between Jamb Mounted

Page #:

Page 1

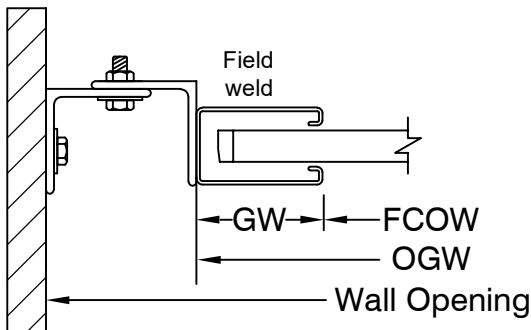


COIL SIDE ELEVATION

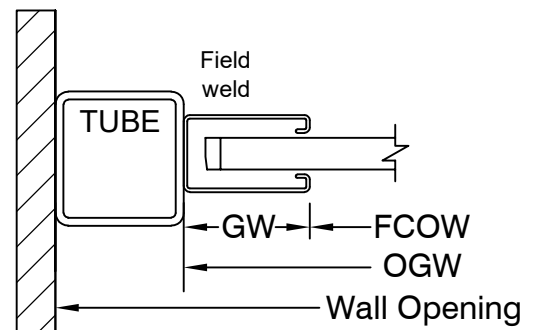


VERTICAL SECTION

BETWEEN JAMB MOUNTED (PACKOUT)



BETWEEN TUBE MOUNTED



GUIDE SECTION

Notes:

1. See page 2 for more options.

SALES REP.:

CUSTOMER:

JOB NAME:

NUMBER:

Manufactured by:



OVERHEAD DOORS, INC.
8 HULSE RD. E. SETAUKET, N.Y. 11733
TEL: (631)473-9300 FAX: (631)642-0800
© COPYRIGHT January 2021
www.alpinedoors.com

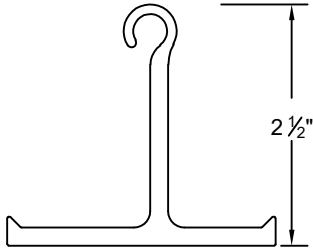
Economical Series Vision Door

Perforated 4" Curve Slat



Motor Operated
Face of Wall Mounted

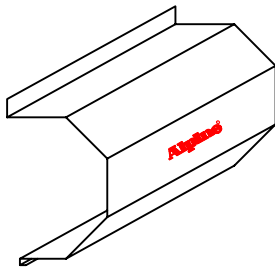
Page #: Page 2



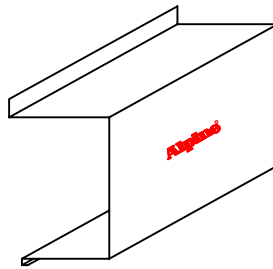
BOTTOM BAR DETAIL



GUIDE DETAIL

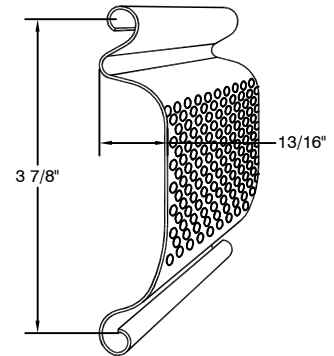


Hexagon Hood



Square Hood

HOOD SHAPES AVAILABLE FOR THIS DOOR



CURTAIN

Call your Alpine representative for additional options and safety products to help find the best Alpine door to suit your needs.

Manufactured by:



OVERHEAD DOORS, INC.
8 HULSE RD. E. SETAUKET, N.Y. 11733
TEL: (631)473-9300 FAX: (631)642-0800
© COPYRIGHT January 2021
www.alpinedoors.com