

# SMOKE FIRE TITE DOOR



ALL GAPS, EDGES AND SEAMS MUST BE SEALED AROUND THE FULL PERIMETER OF THE DOOR WITH DOW RTV SILICONE 723 OR EQUAL.



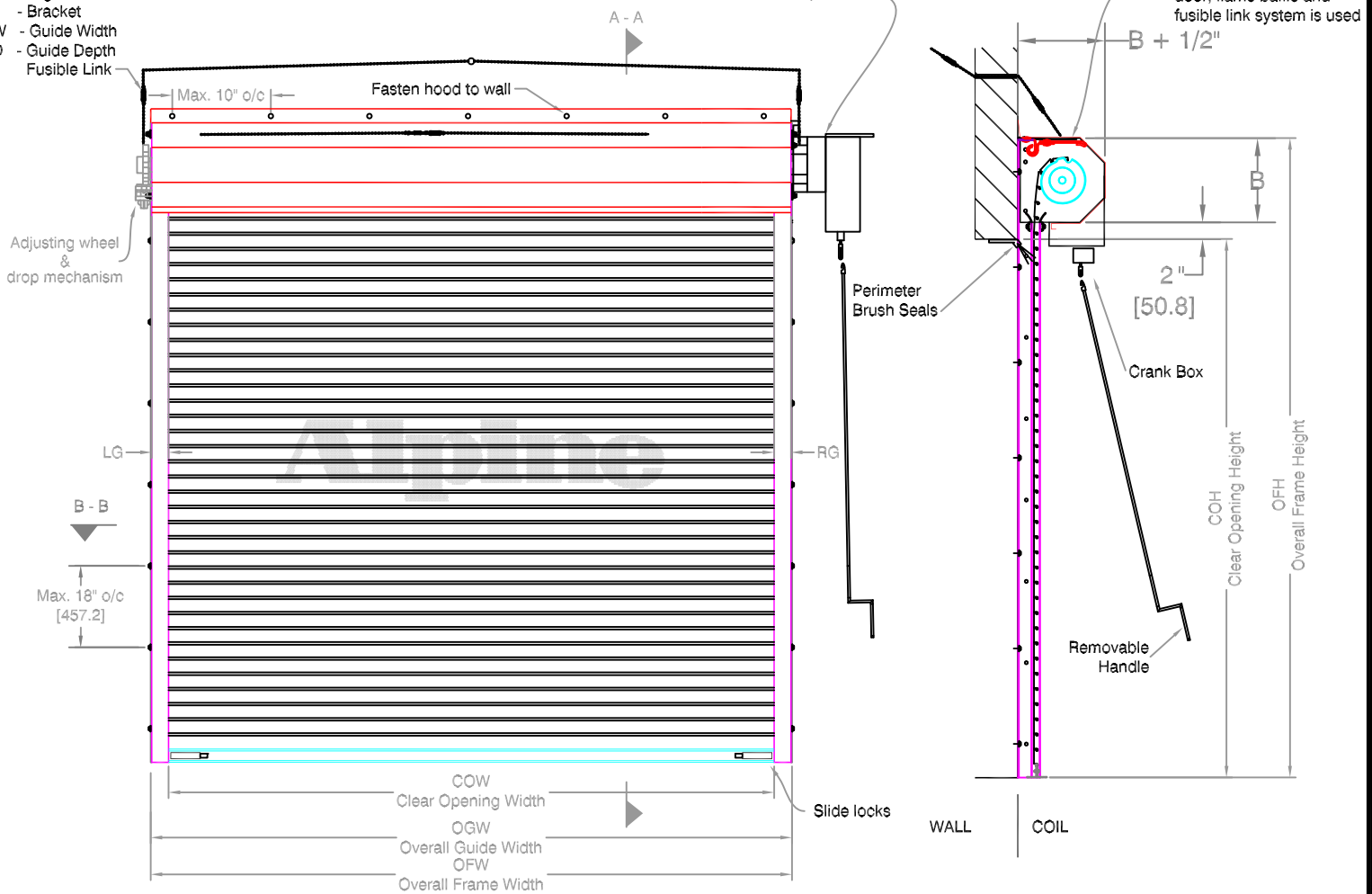
Hand Crank Operated  
Face of Wall Mounted

Page#:

Page 1

- LG - Left Guide
- RG - Right Guide
- B - Bracket
- GW - Guide Width
- GD - Guide Depth
- Fusible Link

NOTE: Redi-Reset Hand Crank Only.



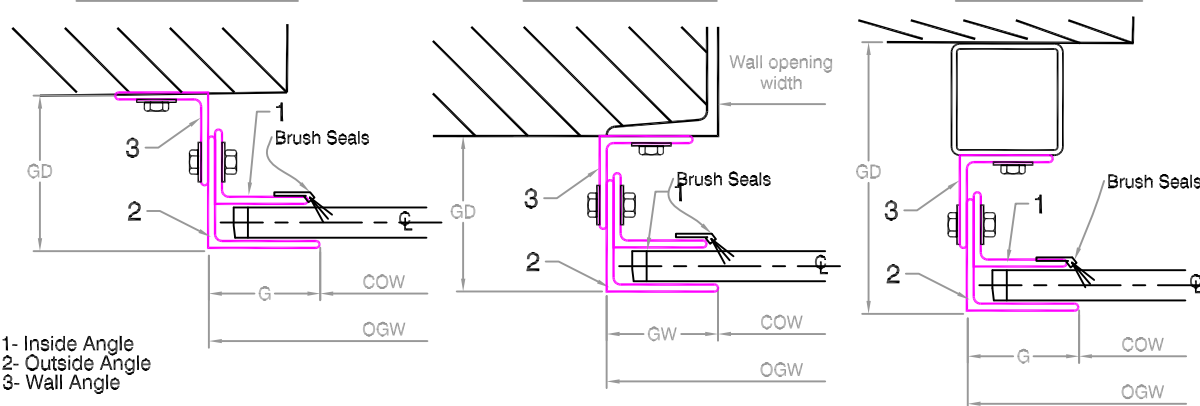
COIL SIDE ELEVATION

VERTICAL SECTION A - A

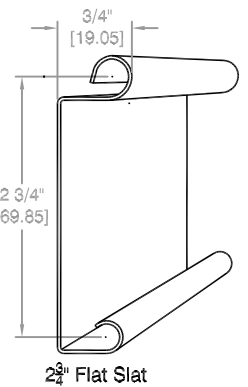
FACE MOUNTED TO MASONRY

FACE MOUNTED TO STEEL

FACE MOUNTED TO TUBE



- 1- Inside Angle
- 2- Outside Angle
- 3- Wall Angle



GUIDE SECTION B - B

SLAT OPTIONS

**Notes:**

- 1. See Page 2 for more options.
- 2. All metric conversions of dimensions are shown in brackets [ ].

SALES REP: \_\_\_\_\_

CUSTOMER: \_\_\_\_\_

JOB NAME: \_\_\_\_\_

NUMBER: \_\_\_\_\_

Manufactured by:



8 HULSE ROAD EAST SETAUKET, N.Y. 11733  
TEL: (631)473-9300 FAX: (631)642-0800  
© COPYRIGHT JAN 2007

# SMOKE FIRE TITE DOOR

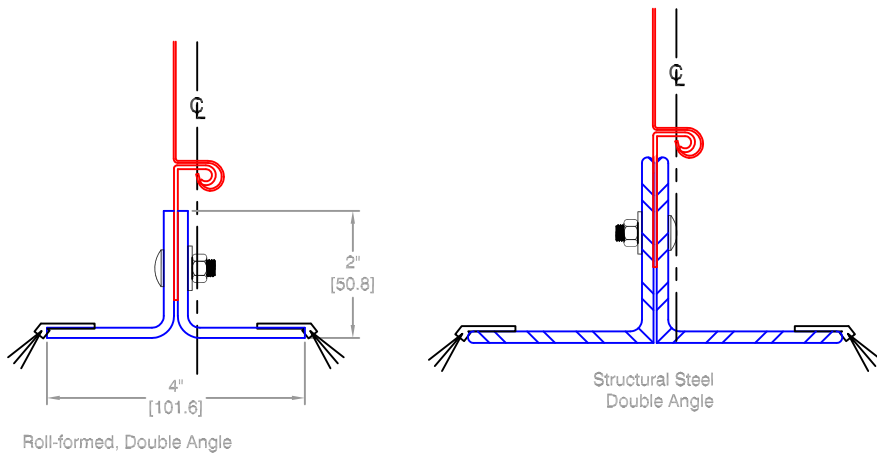
2 3/4" Flat Slat



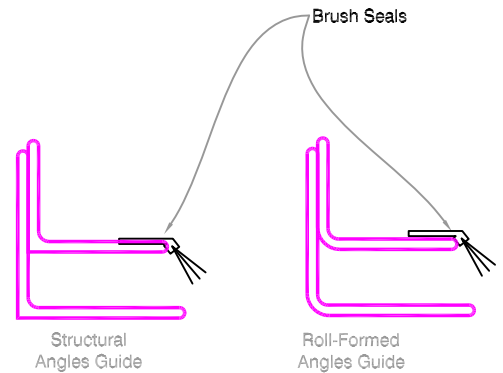
Hand Crank Operated  
Face of Wall Mounted

Page#:

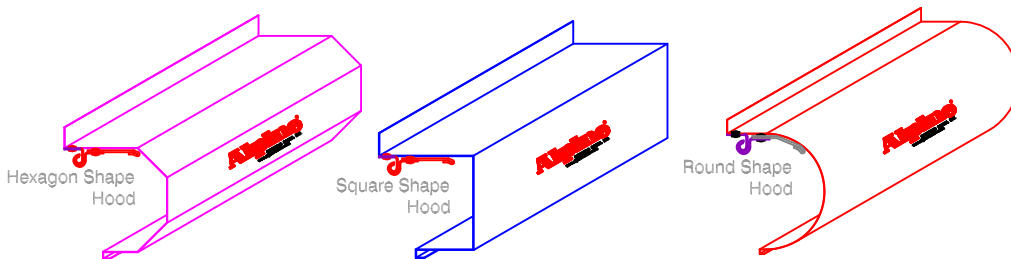
Page 2



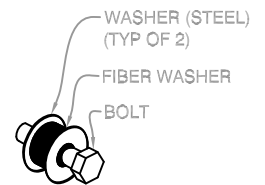
**BOTTOM BAR DETAIL**



**GUIDE OPTIONS**

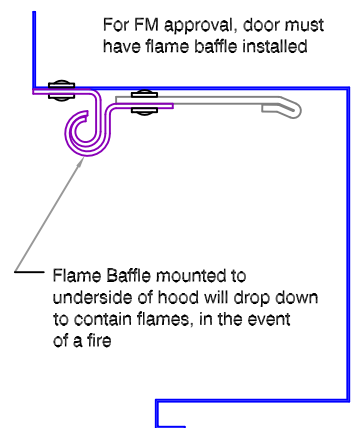
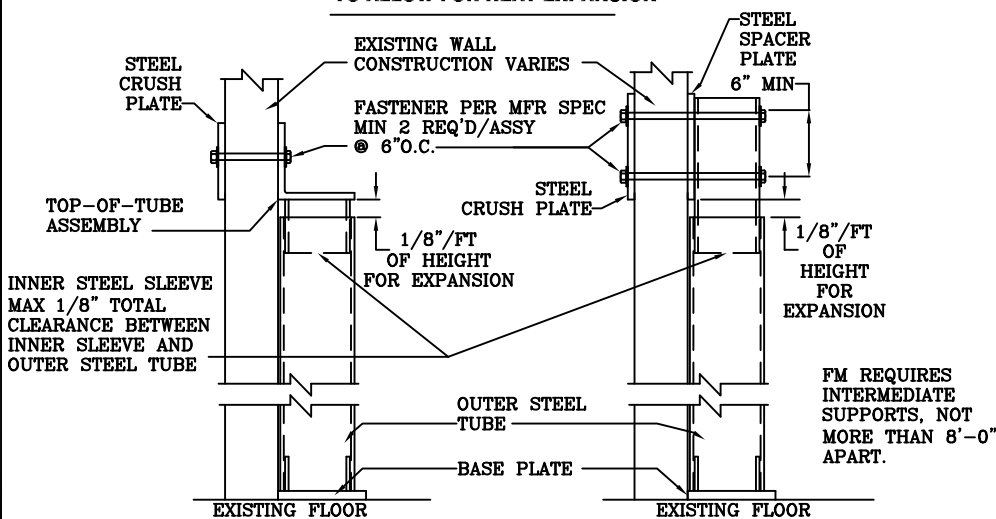


**HOOD SHAPES AVAILABLE FOR THIS DOOR**



**FASTENER DETAIL**

**TUBE MOUNTING FOR FIRE DOORS  
TO ALLOW FOR HEAT EXPANSION**



**FLAME BAFFLE DETAIL**

Distributed By:

Call your Alpine representative for additional options and safety products to help find the best Alpine door to suit your needs.

Manufactured by:

**Alpine**<sup>®</sup>  
OVERHEAD DOORS, INC.  
8 HULSE ROAD EAST SETAUKET, N.Y. 11733  
TEL: (631)473-9300 FAX: (631)642-0800  
© COPYRIGHT MAY 2007

# Fire Rated Door

2 3/4" Flat Slat

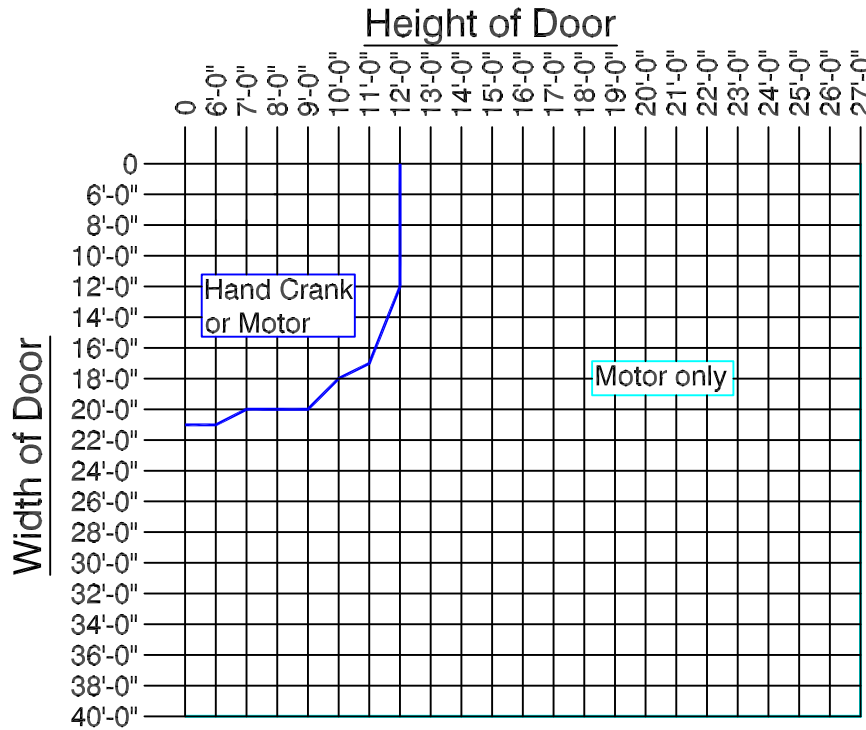
NOTE: MAXIMUM PIPE DEFLECTION ON ANY SIZE DOOR IS .034



Page#:

Page 3

Finding the minimum required operation for the size door you need.



## Operator Legend

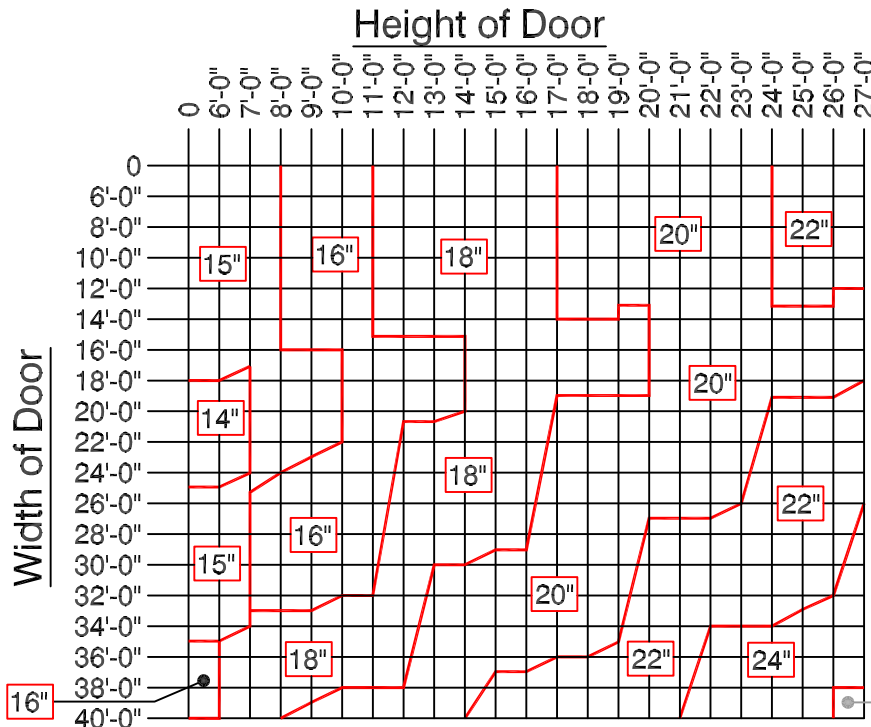
— Hand Crank Operation

— Motor Operation Only

To use Chart: Find where your door width and height meet to find the minimum operation that may be used for that door size.

For example: The blue line indicates a Hand Crank Operation. Any size door on that line or above that line may use a Hand Crank, including the door sizes that fall into the Manual push up door. But, The Manual push up door may not be used for any door size below the line representing Push up operation. For any door size larger than what is represented here please consult your Alpine Overhead Doors, Inc. Factory. This Graph is for reference only, subject to change without notice.

Finding the minimum required bracket size for the door you need.



NOTE: Bracket sizes may vary based on gauge of curtain. Bracket size is directly related to the pipe low moment arm deflection (not more than .03 inches per foot).

To use Chart: Find where your door width and height meet to find the minimum bracket size for your door. For any door size larger than what is represented here please consult your Alpine Overhead Doors, Inc. Factory. This Graph is for reference only, subject to change without notice.

Distributed By:

Manufactured by:



8 HULSE ROAD EAST SETAUKET, N.Y. 11733  
 TEL: (631)473-9300 FAX: (631)642-0800  
 © COPYRIGHT DEC 2006