

# DOUBLE DOORS



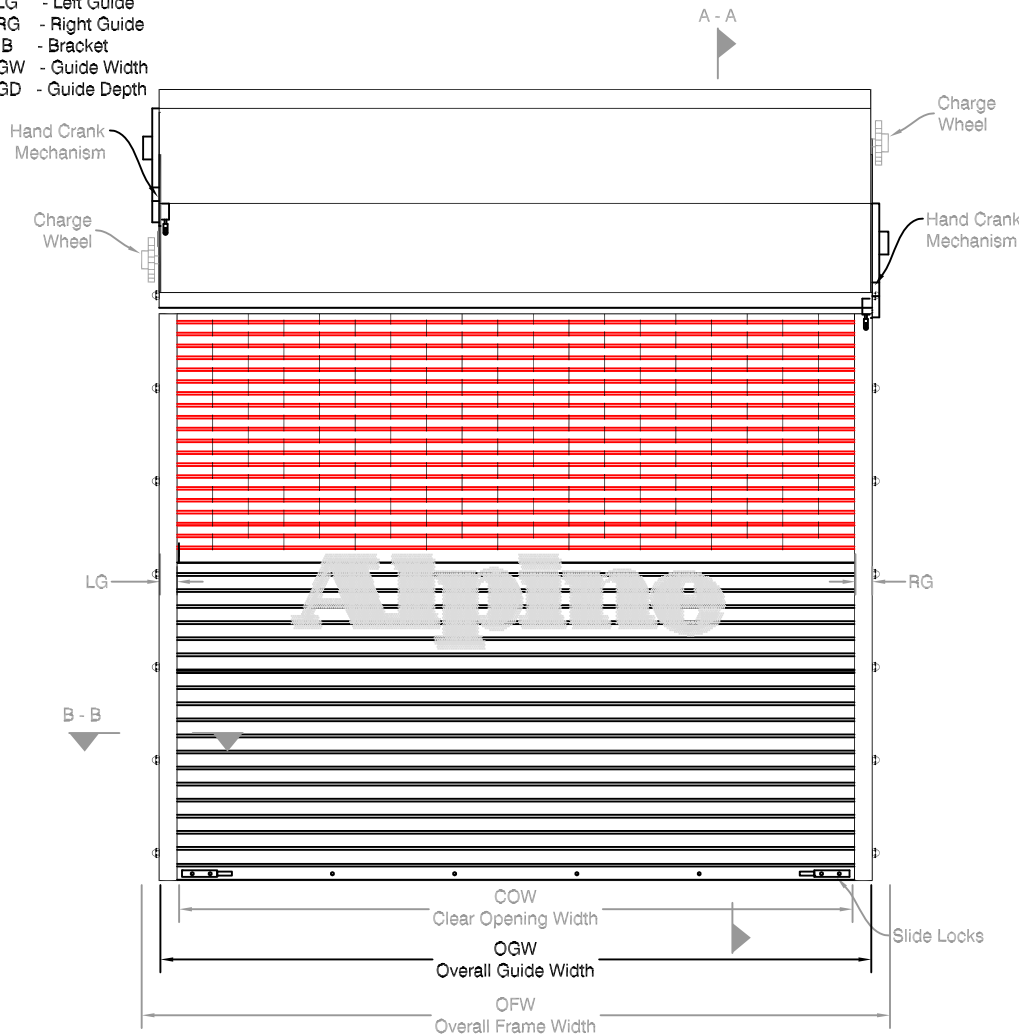
## Super Imposed

Combination Rolling Door and Rolling grille

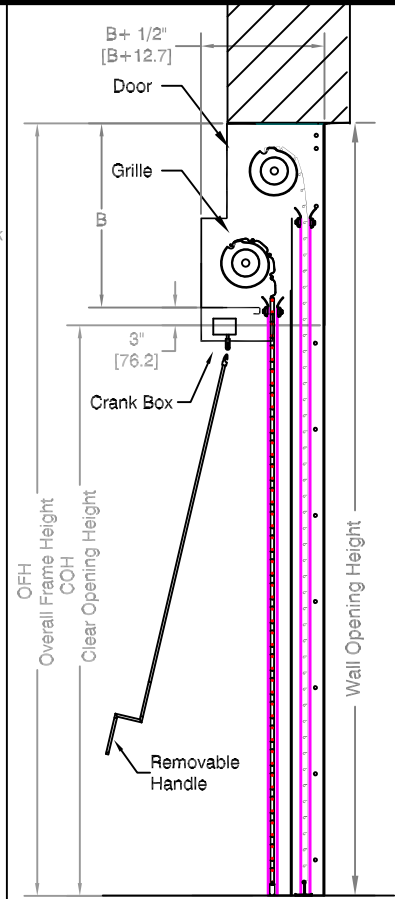
Hand Crank Operated  
Between Jamb Mounted

Page#: Page 1

LG - Left Guide  
RG - Right Guide  
B - Bracket  
GW - Guide Width  
GD - Guide Depth

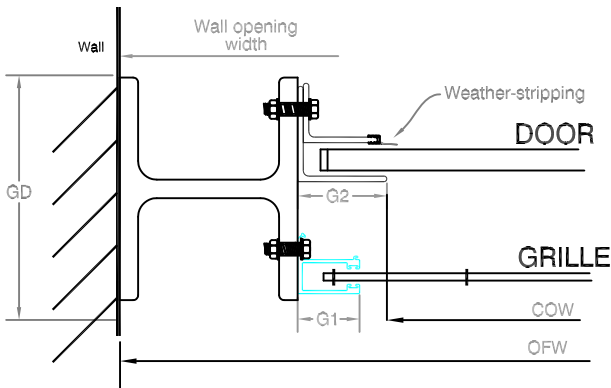


COIL SIDE ELEVATION

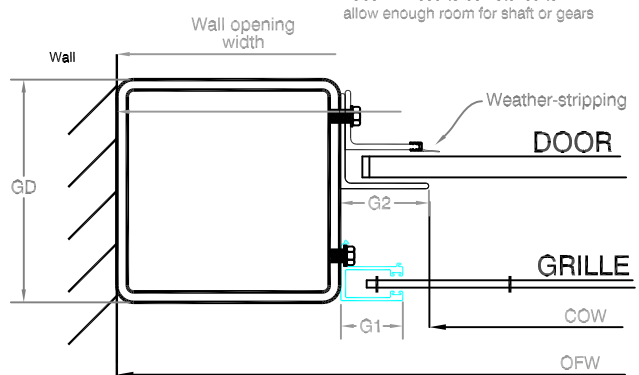


VERTICAL SECTION A - A

STEEL I-BEAM MOUNTED



TUBE MOUNTED



GUIDE SECTION B - B

**Notes:**

1. See page 2 and 3 for more options.
2. All metric conversions of dimensions are shown in brackets [ ].

SALES REP:

CUSTOMER:

JOB NAME:

NUMBER:

Manufactured by:



8 Hulse Road, East Setauket, NY  
TEL: (718)384-6100 FAX: (718)486-6324  
© COPYRIGHT JANUARY 2001

# DOUBLE DOORS

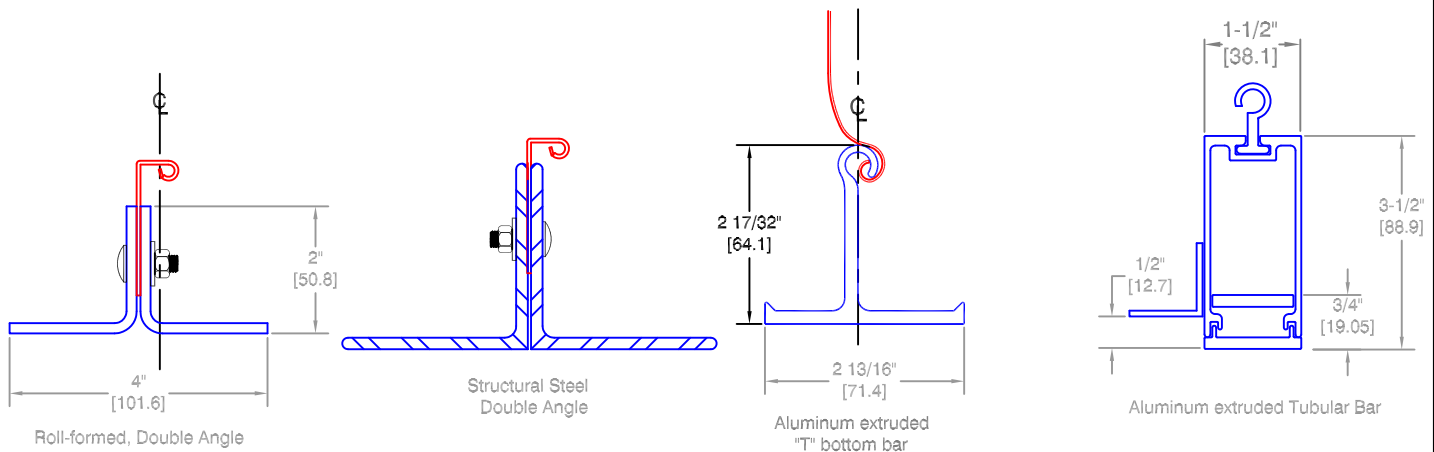
## Super Imposed

Combination Rolling Door and Rolling grille

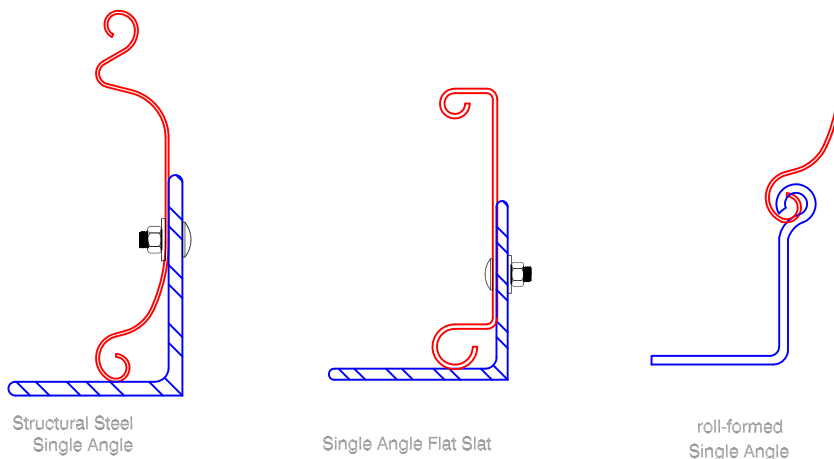
Hand Crank Operated  
Between Jamb Mounted

Page#:

Page 2



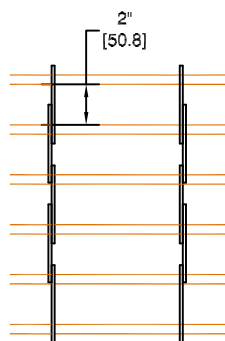
### BOTTOM BAR DETAILS (ACCORDING TO WHICH TWO DOORS ARE SELECTED)



### BOTTOM BAR DETAILS (ACCORDING TO WHICH TWO DOORS ARE SELECTED)

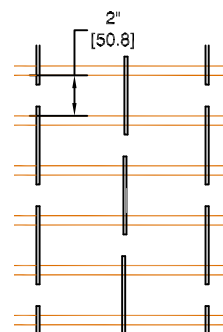


Neoprene Astragal



Straight Pattern

4 1/2" [114.3],  
6" [152.4] or  
9" [228.6] Wide  
For Slat options  
see page 3



Brick Pattern

4 1/2" [114.3] or  
6" [152.4]  
For Slat options  
see page 3

### OBSTACLE EDGES AVAILABLE

### GRILLE OPTIONS

Distributed By:

Call your Alpine representative for additional options and safety products to help find the best Alpine door to suit your needs.

Manufactured by:



8 HULSE ROAD EAST SETAUKET, N.Y. 11733  
TEL: (631)473-9300 FAX: (631)642-0800  
© COPYRIGHT MAY 2007

# DOUBLE DOORS

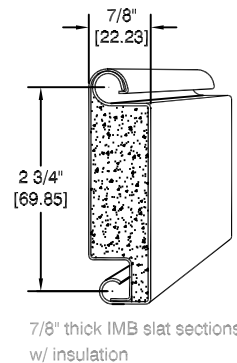
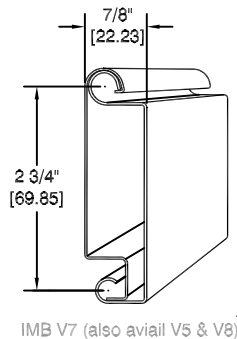
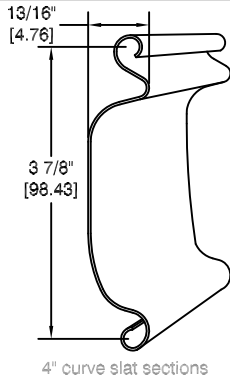
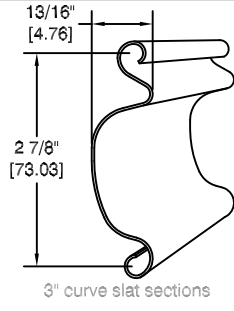
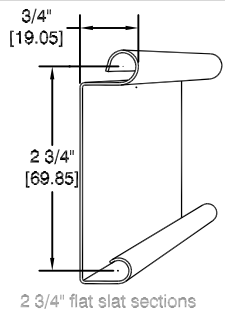
## Super Imposed

Combination Rolling Door and Rolling grille

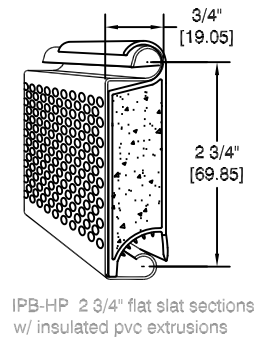
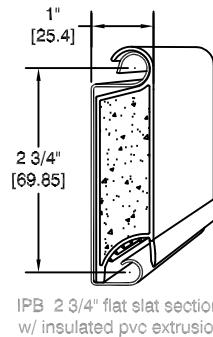
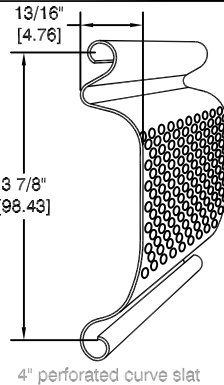
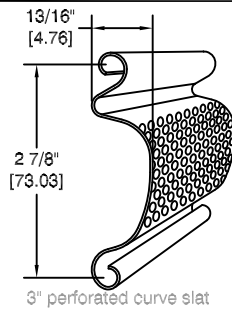
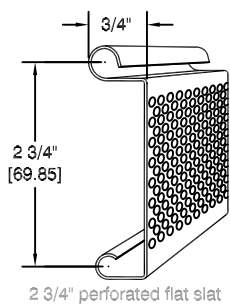
Manual Push-up Operated  
Between Jamb Mounted

Page#:

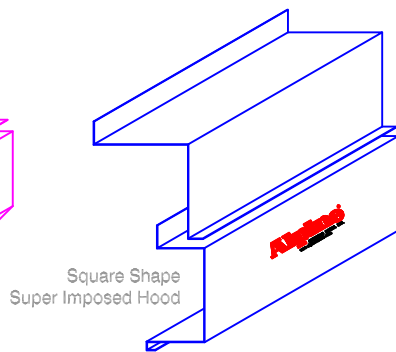
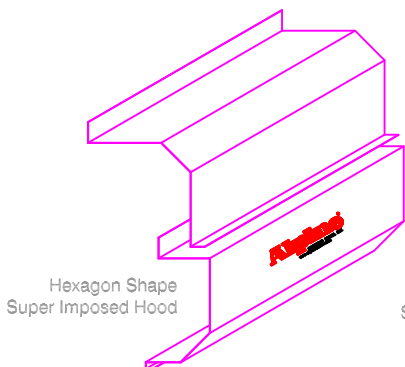
Page 3



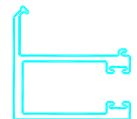
### SLAT OPTIONS



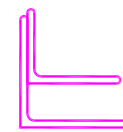
### SLAT OPTIONS



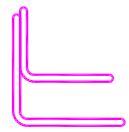
Roll-Formed Guide



"F" Aluminum Guide

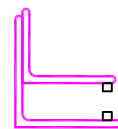


Structural Angles Guide

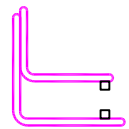


Roll-Formed Angles Guide

For Industrial Grilles:



Structural Angles Guide



Roll-Formed Angles Guide

### HOOD SHAPES AVAILABLE FOR THIS DOOR

### GUIDE OPTIONS

Manufactured by:

**Alpine**<sup>®</sup>  
OVERHEAD DOORS, INC.

8 HULSE ROAD EAST SETAUKET, N.Y. 11733

TEL: (631)473-9300 FAX: (631)642-0800

© COPYRIGHT MAY 2007