

DOUBLE DOORS



Super Imposed

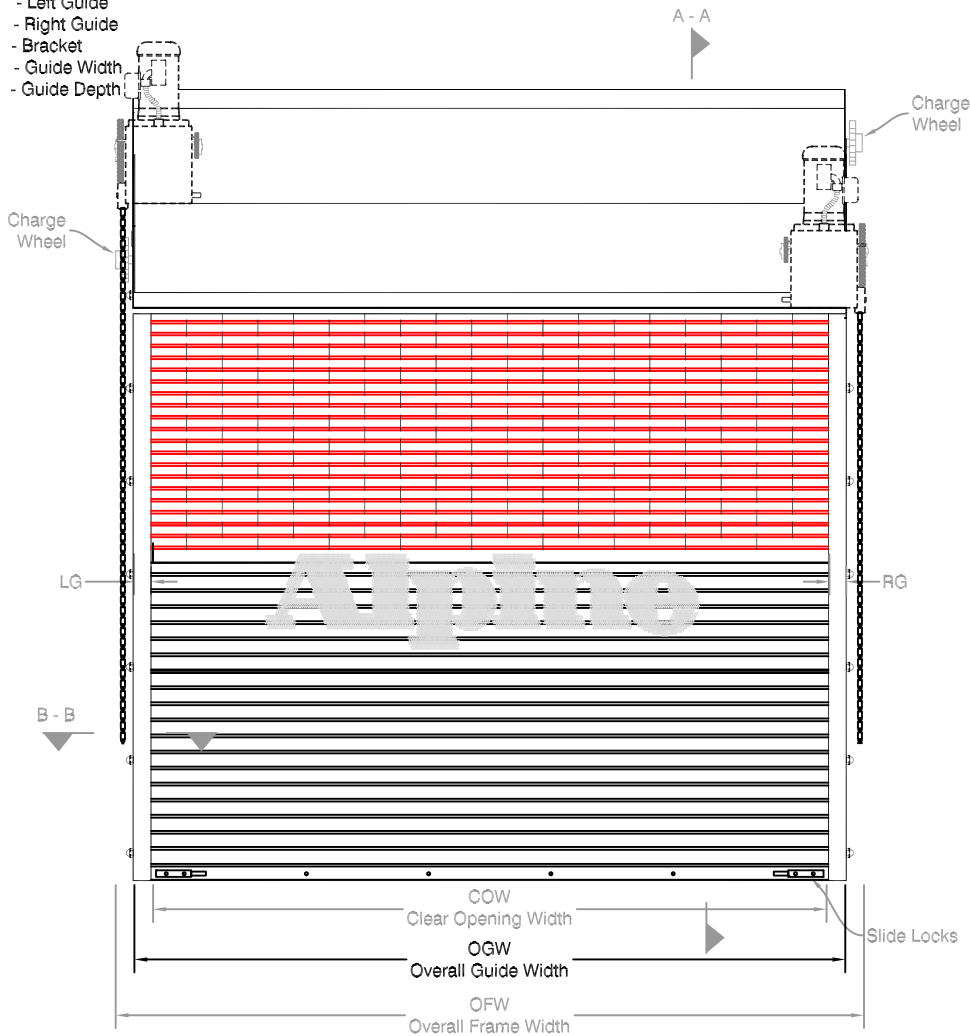
Combination Rolling Door and Rolling grille

Motor Operated
Face of Wall Mounted

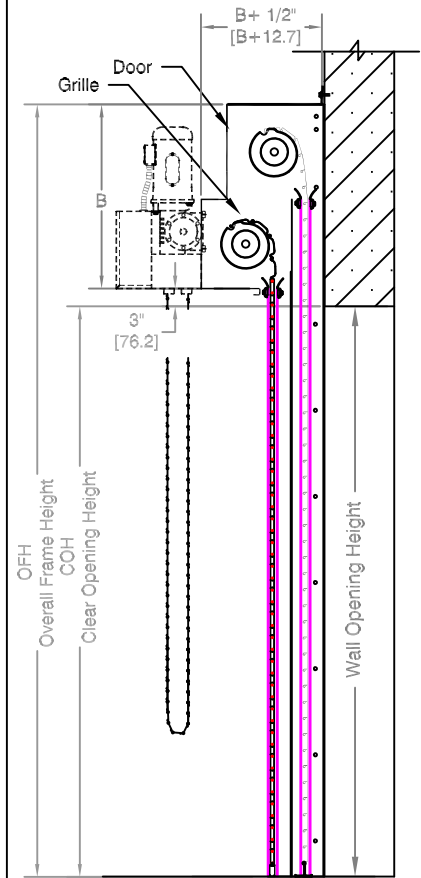
Page#:

Page 1

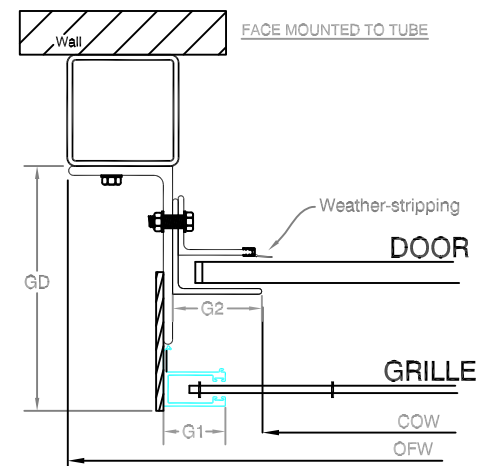
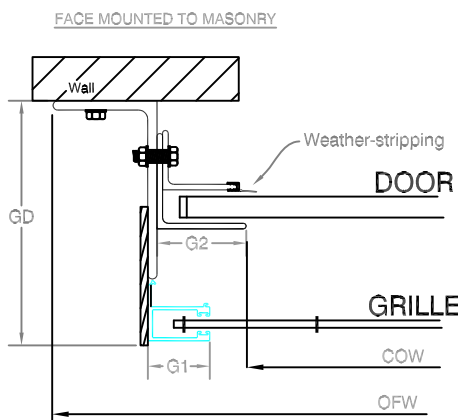
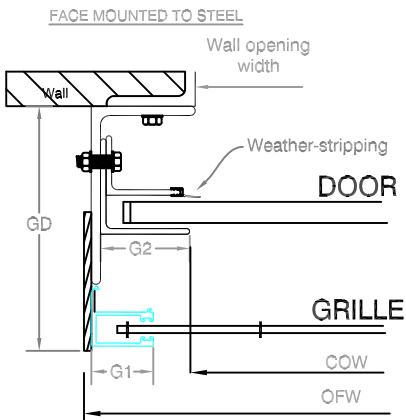
LG - Left Guide
RG - Right Guide
B - Bracket
GW - Guide Width
GD - Guide Depth



COIL SIDE ELEVATION



VERTICAL SECTION A - A



GUIDE SECTION B - B

Notes:

- See page 2 and 3 for more options.
- All metric conversions of dimensions are shown in brackets [].

SALES REP:

CUSTOMER:

JOB NAME:

NUMBER:

Manufactured by:



8 Hulse Road, East Setauket, NY
TEL: (718)384-6100 FAX: (718)486-6324
© COPYRIGHT JANUARY 2001

DOUBLE DOORS

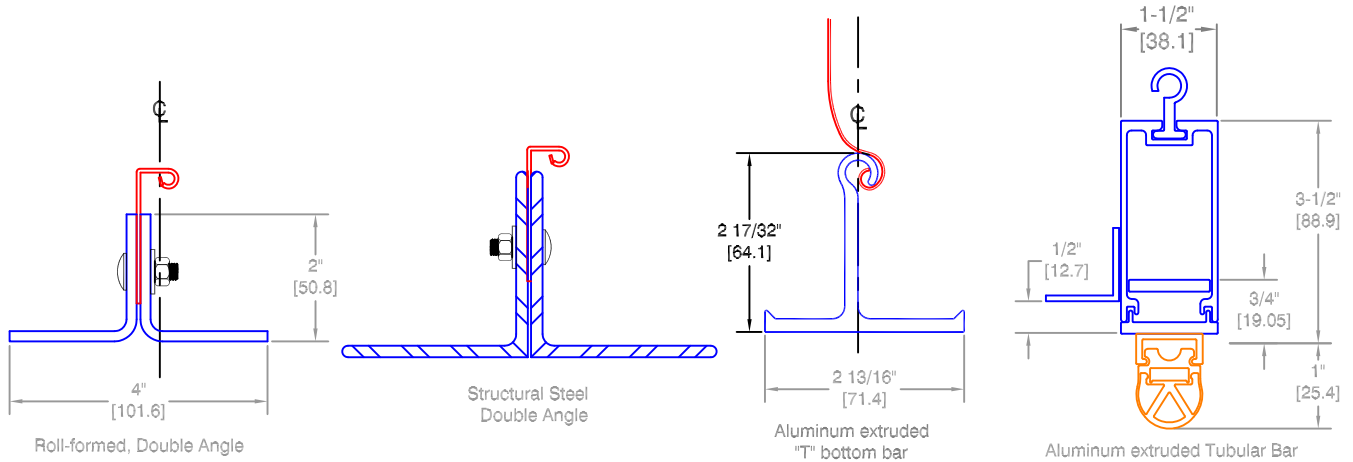
Super Imposed

Combination Rolling Door and Rolling grille

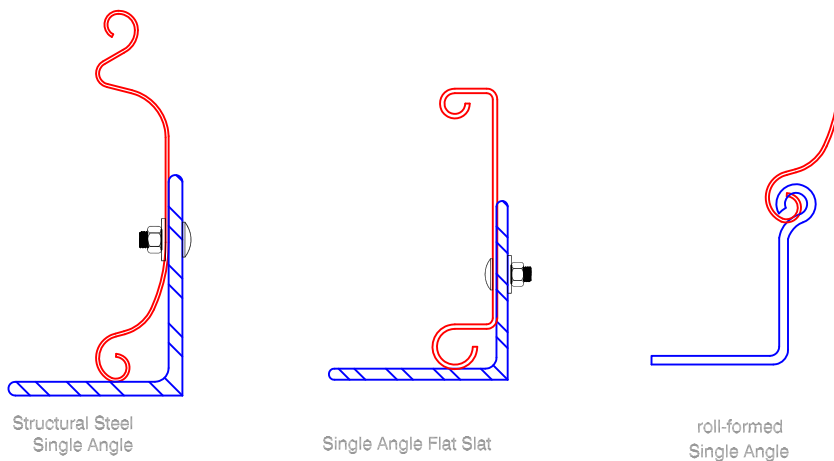
Motor Operated
Face of Wall Mounted

Page#:

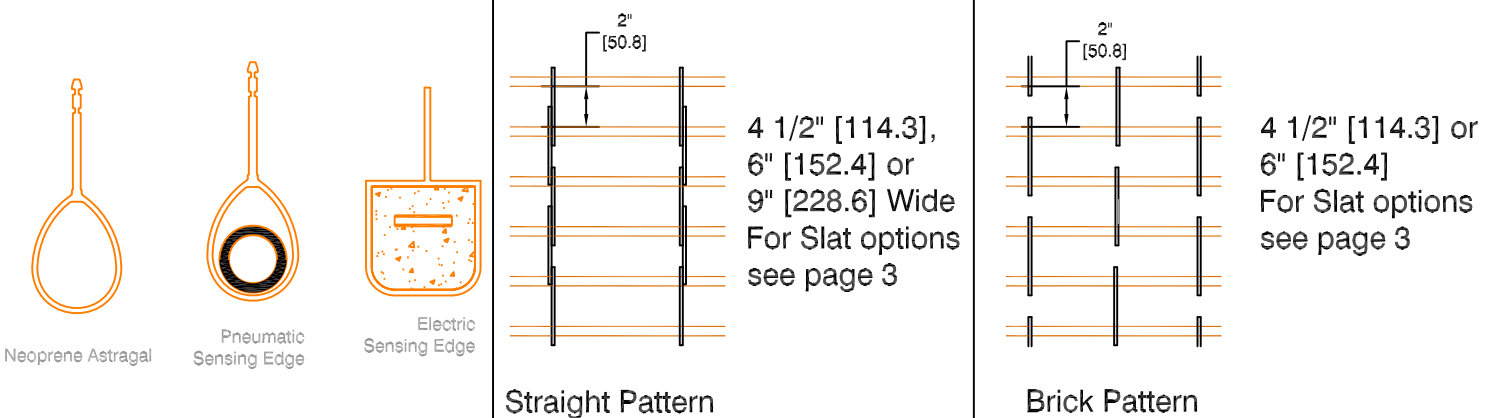
Page 2



BOTTOM BAR DETAILS (ACCORDING TO WHICH TWO DOORS ARE SELECTED)



BOTTOM BAR DETAILS (ACCORDING TO WHICH TWO DOORS ARE SELECTED)



OBSTACLE EDGES AVAILABLE

GRILLE OPTIONS

Distributed By:

Call your Alpine representative for additional options and safety products to help find the best Alpine door to suit your needs.

Manufactured by:

Alpine[®]
OVERHEAD DOORS, INC.

8 HULSE ROAD EAST SETAUKET, N.Y. 11733
TEL: (631)473-9300 FAX: (631)642-0800
© COPYRIGHT MAY 2007

DOUBLE DOORS

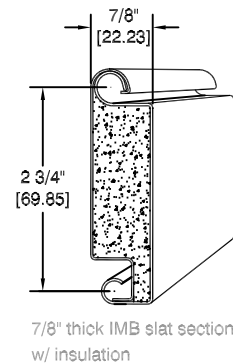
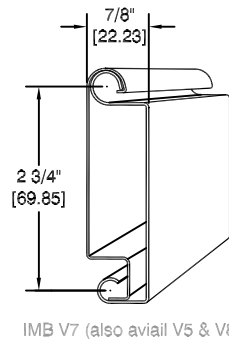
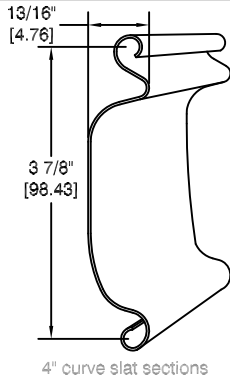
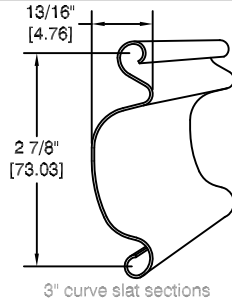
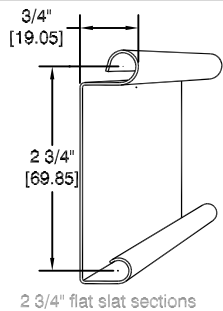
Super Imposed

Combination Rolling Door and Rolling grille

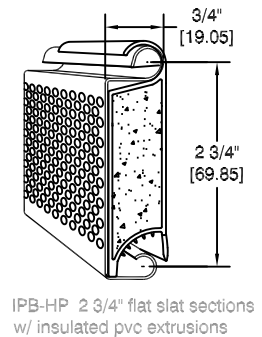
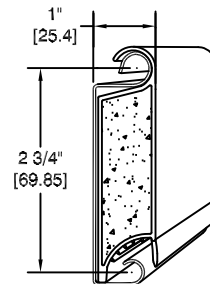
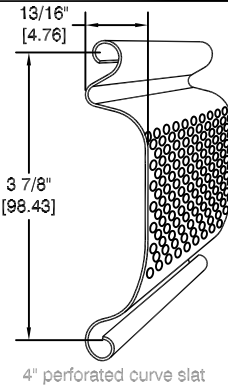
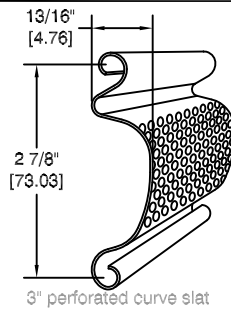
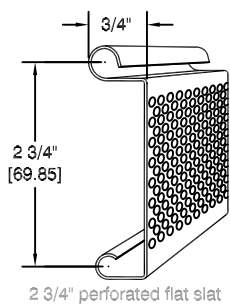
Motor Operated
Face of Wall Mounted

Page#:

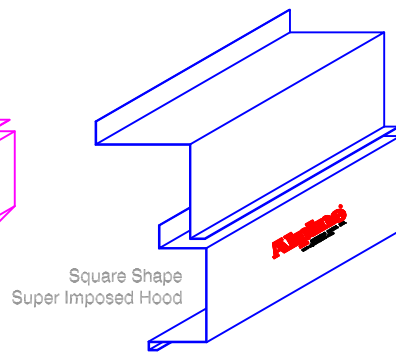
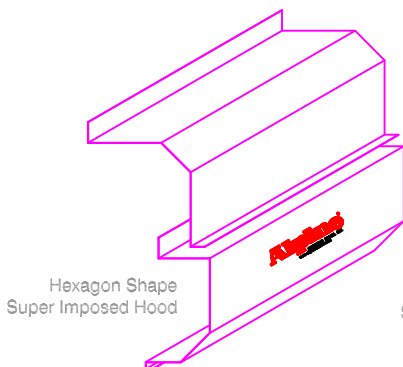
Page 3



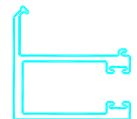
SLAT OPTIONS



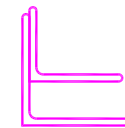
SLAT OPTIONS



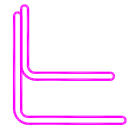
Roll-Formed Guide



"F" Aluminum Guide

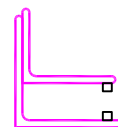


Structural Angles Guide

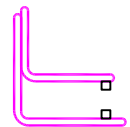


Roll-Formed Angles Guide

For Industrial Grilles:



Structural Angles Guide



Roll-Formed Angles Guide

HOOD SHAPES AVAILABLE FOR THIS DOOR

GUIDE OPTIONS

Manufactured by:

Alpine[®]
OVERHEAD DOORS, INC.

8 HULSE ROAD EAST SETAUKET, N.Y. 11733

TEL: (631)473-9300 FAX: (631)642-0800

© COPYRIGHT MAY 2007