

DOUBLE DOORS



Super Imposed

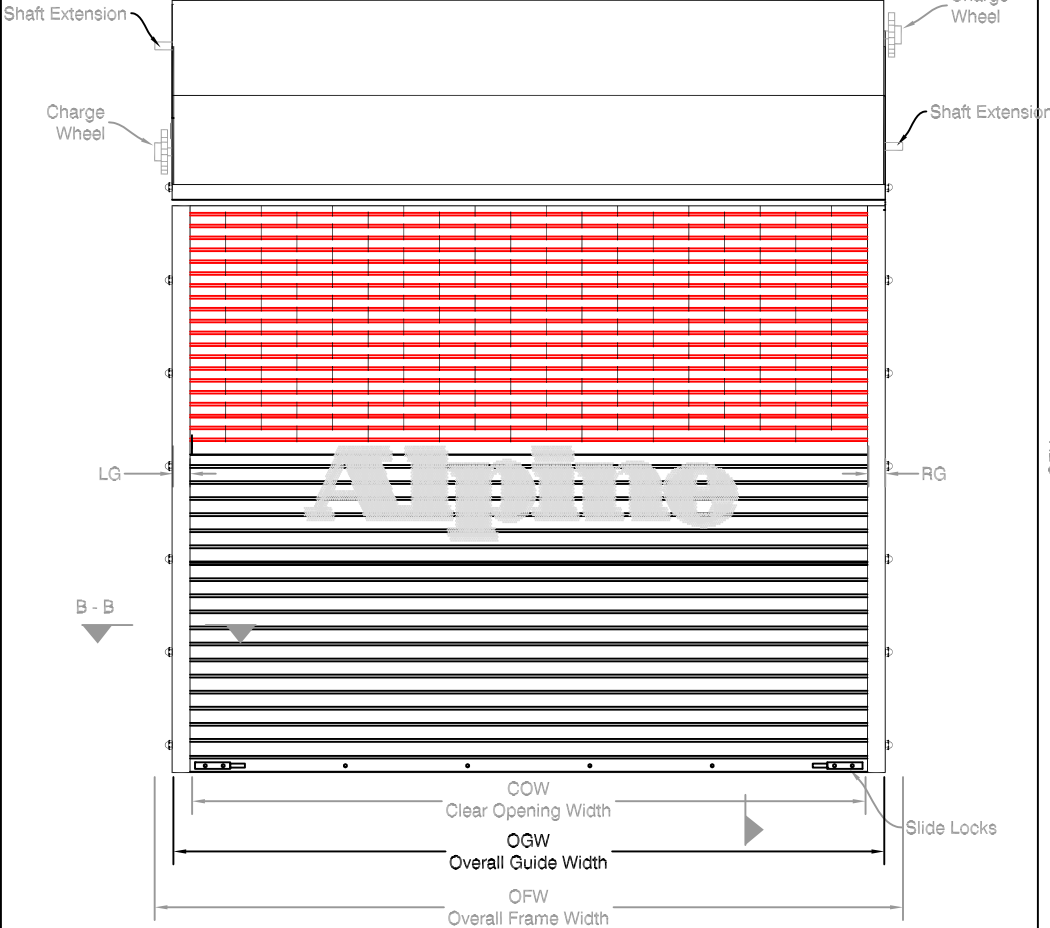
Combination Rolling Door and Rolling grille

Manual Push-up Operated
Face of Wall Mounted

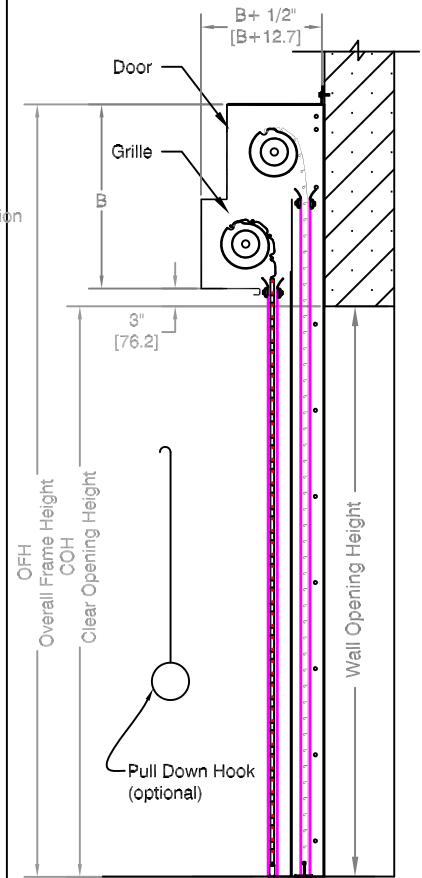
Page#:

Page 1

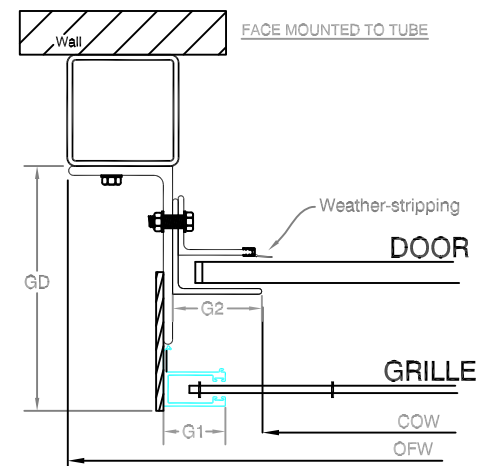
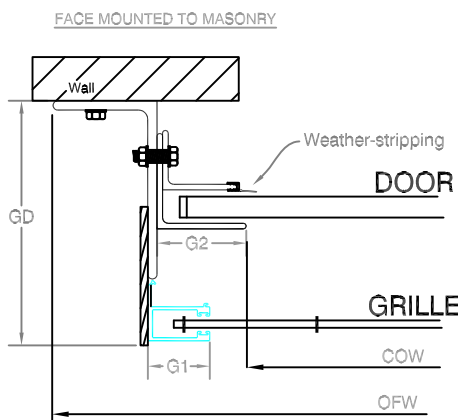
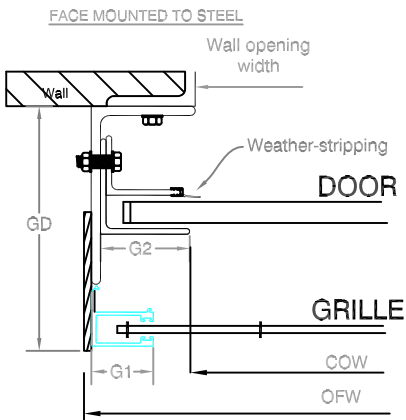
LG - Left Guide
RG - Right Guide
B - Bracket
GW - Guide Width
GD - Guide Depth



COIL SIDE ELEVATION



VERTICAL SECTION A - A



GUIDE SECTION B - B

Notes:

1. See page 2 and 3 for more options.
2. All metric conversions of dimensions are shown in brackets [].

SALES REP:

CUSTOMER:

JOB NAME:

NUMBER:

Manufactured by:



8 Hulse Road, East Setauket, NY
TEL: (718)384-6100 FAX: (718)486-6324
© COPYRIGHT JANUARY 2001

DOUBLE DOORS

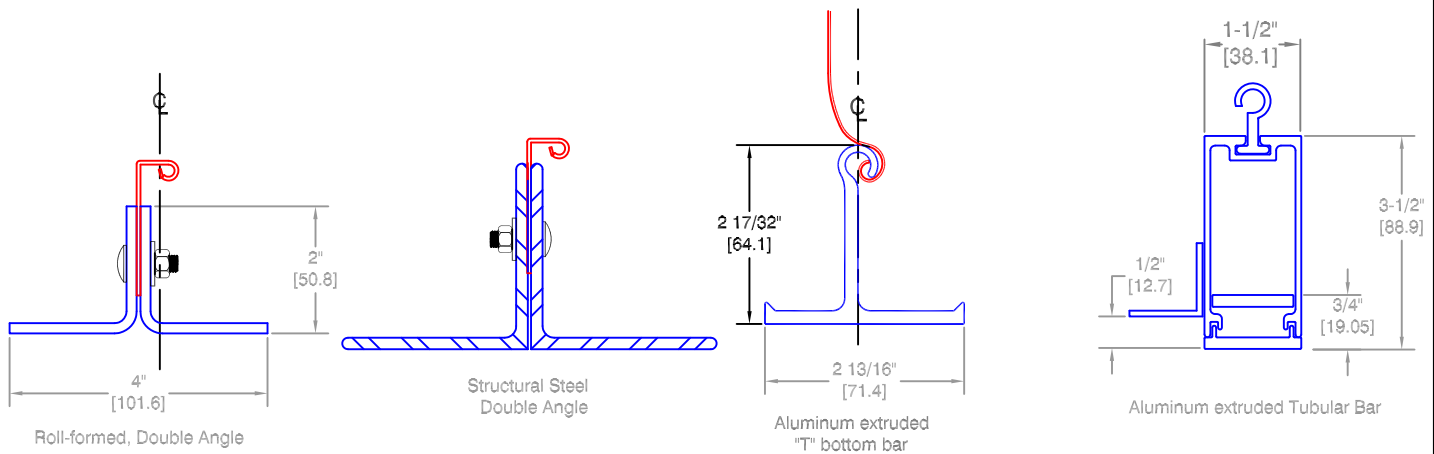
Super Imposed

Combination Rolling Door and Rolling grille

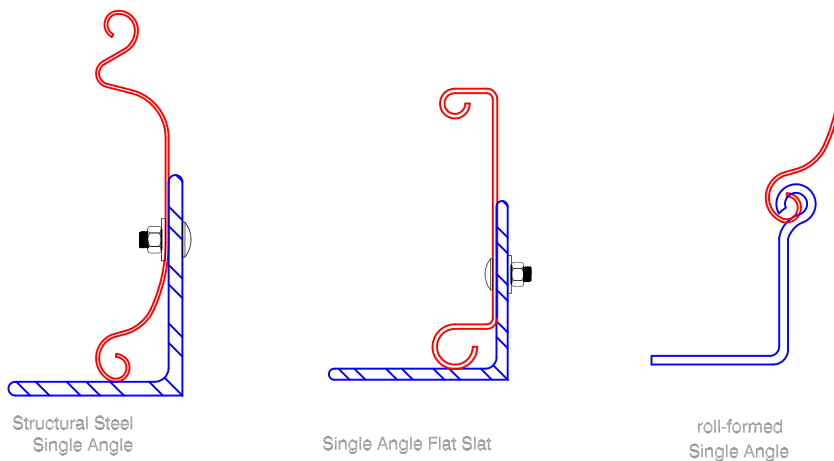
Manual Push-up Operated
Face of Wall Mounted

Page#:

Page 2



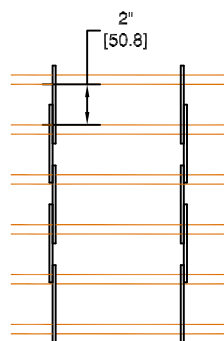
BOTTOM BAR DETAILS (ACCORDING TO WHICH TWO DOORS ARE SELECTED)



BOTTOM BAR DETAILS (ACCORDING TO WHICH TWO DOORS ARE SELECTED)

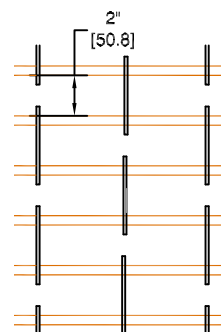


Neoprene Astragal



Straight Pattern

4 1/2" [114.3],
6" [152.4] or
9" [228.6] Wide
For Slat options
see page 3



Brick Pattern

4 1/2" [114.3] or
6" [152.4]
For Slat options
see page 3

OBSTACLE EDGES AVAILABLE

GRILLE OPTIONS

Distributed By:

Call your Alpine representative for additional options and safety products to help find the best Alpine door to suit your needs.

Manufactured by:

Alpine[®]
OVERHEAD DOORS, INC.

8 HULSE ROAD EAST SETAUKET, N.Y. 11733
TEL: (631)473-9300 FAX: (631)642-0800
© COPYRIGHT MAY 2007

DOUBLE DOORS

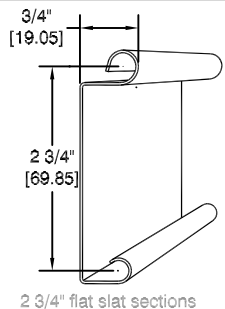
Super Imposed

Combination Rolling Door and Rolling grille

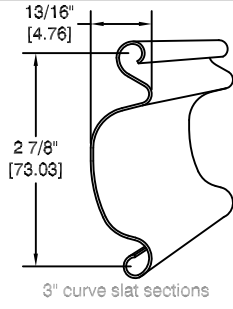
Manual Push-up Operated
Face of Wall Mounted

Page#:

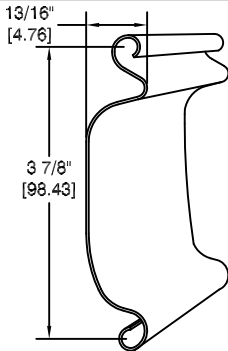
Page 3



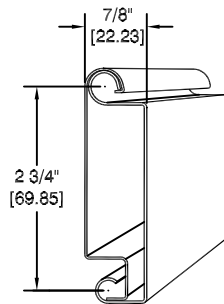
2 3/4" flat slat sections



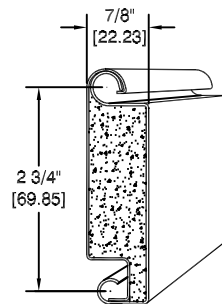
3" curve slat sections



4" curve slat sections

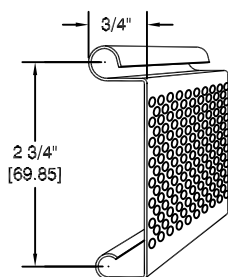


IMB V7 (also avail V5 & V8)

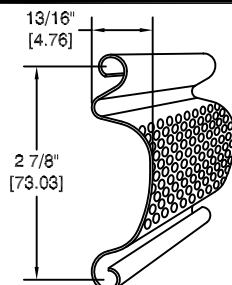


7/8" thick IMB slat sections w/ insulation

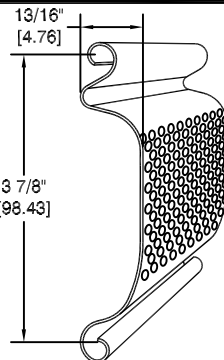
SLAT OPTIONS



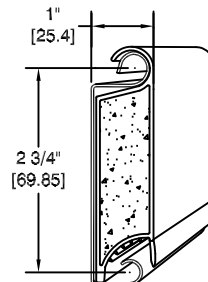
2 3/4" perforated flat slat



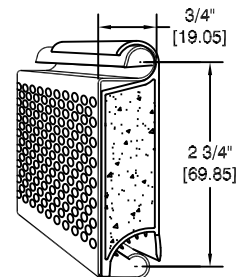
3" perforated curve slat



4" perforated curve slat

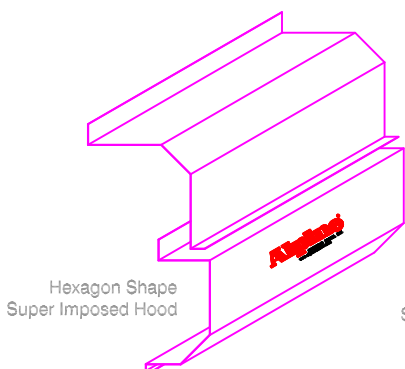


IPB 2 3/4" flat slat sections w/ insulated pvc extrusions

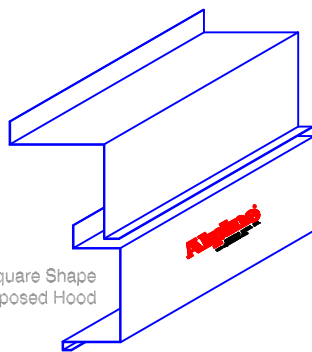


IPB-HP 2 3/4" flat slat sections w/ insulated pvc extrusions

SLAT OPTIONS



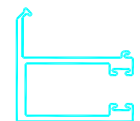
Hexagon Shape Super Imposed Hood



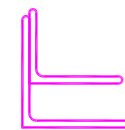
Square Shape Super Imposed Hood



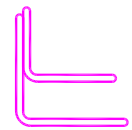
Roll-Formed Guide



"F" Aluminum Guide

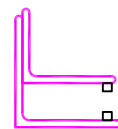


Structural Angles Guide

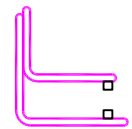


Roll-Formed Angles Guide

For Industrial Grilles:



Structural Angles Guide



Roll-Formed Angles Guide

HOOD SHAPES AVAILABLE FOR THIS DOOR

GUIDE OPTIONS

Manufactured by:



8 HULSE ROAD EAST SETAUKET, N.Y. 11733
TEL: (631)473-9300 FAX: (631)642-0800
© COPYRIGHT MAY 2007