



WIND-TITE

FULL WEATHER SEALED DOOR

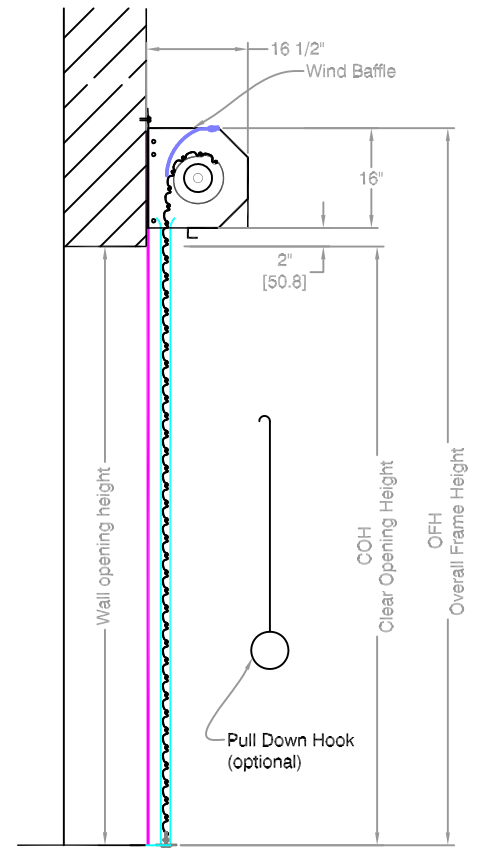
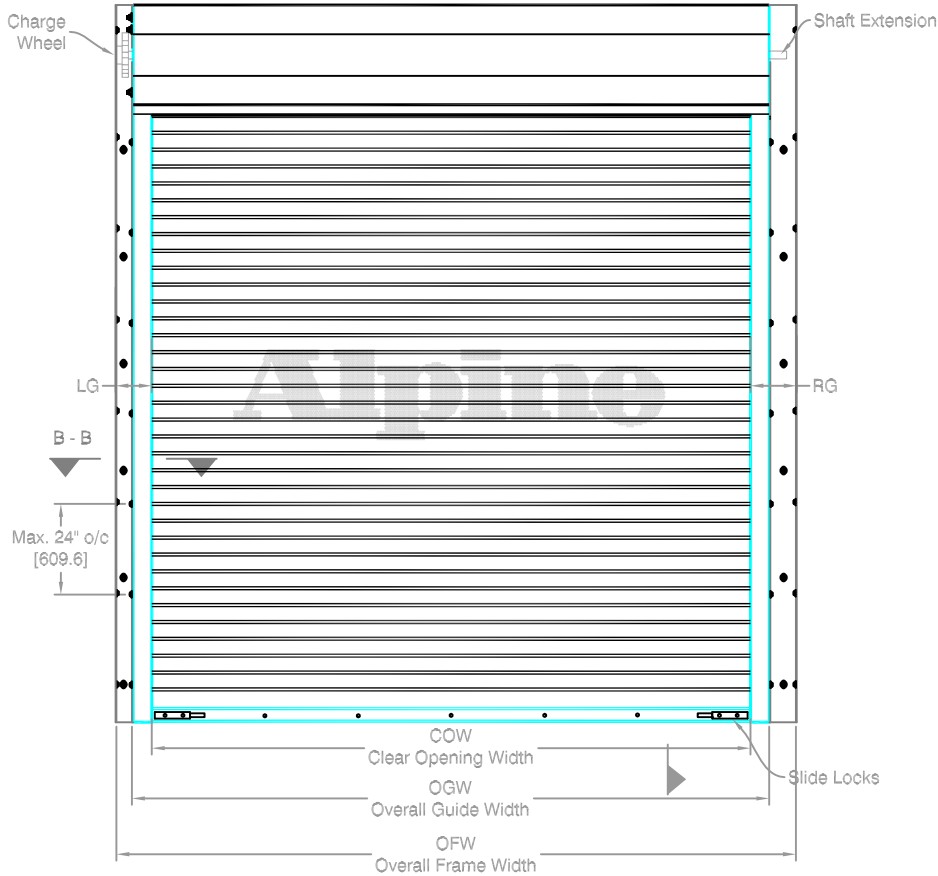
Manual Push-up Operated
Face of Wall Mounted

Page#:

Page 1

LG - Left Guide
RG - Right Guide
B - Bracket
GW - Guide Width
GD - Guide Depth

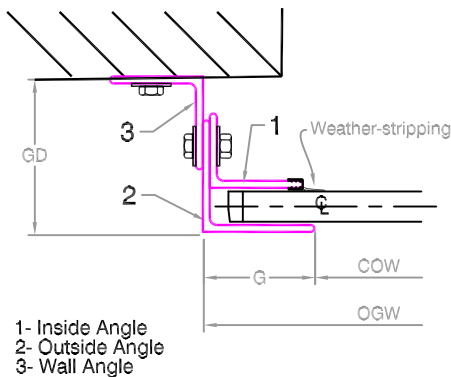
A - A



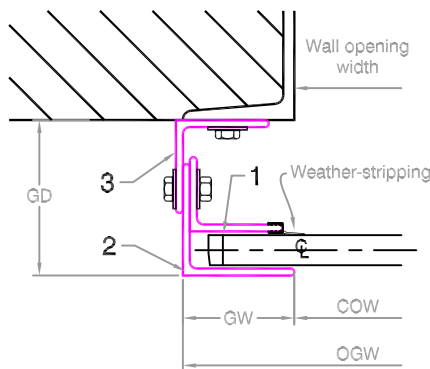
COIL SIDE ELEVATION

VERTICAL SECTION A - A

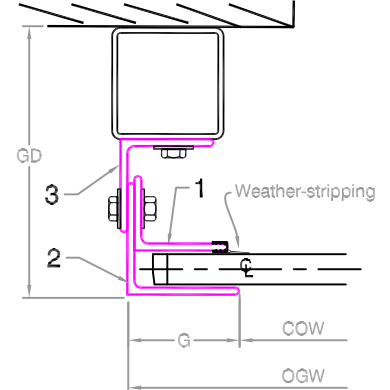
FACE MOUNTED TO MASONRY



FACE MOUNTED TO STEEL



FACE MOUNTED TO TUBE



1- Inside Angle
2- Outside Angle
3- Wall Angle

GUIDE SECTION B - B

Notes:

- See page 2 for more options.
- All metric conversions of dimensions are shown in brackets [].

SALES REP:

CUSTOMER:

JOB NAME:

NUMBER:

Manufactured by:

Alpine[®]
OVERHEAD DOORS, INC.

8 HULSE ROAD EAST SETAUKET, N.Y. 11733

TEL: (631)473-9300 FAX: (631)642-0800

© COPYRIGHT DEC 2009

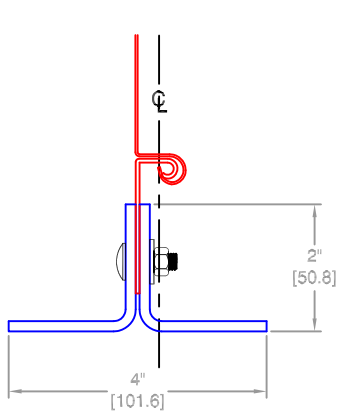
WIND-TITE

FULL WEATHER SEALED DOOR

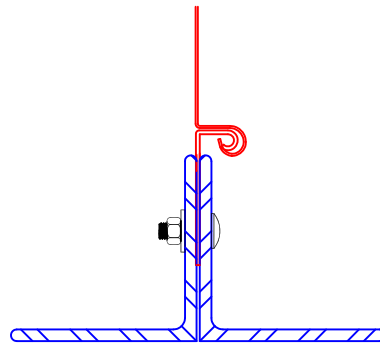
Manual Push-up Operated
Face of Wall Mounted

Page#:

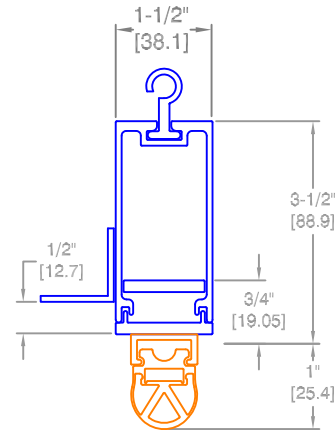
Page 2



Roll-formed, Double Angle

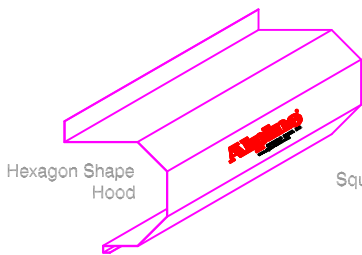


Structural Steel
Double Angle

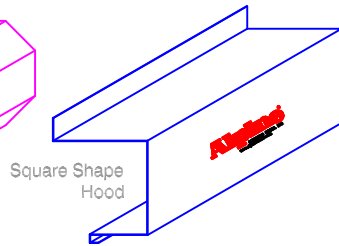


Aluminum extruded Tubular Bar
with electrical sensing edge

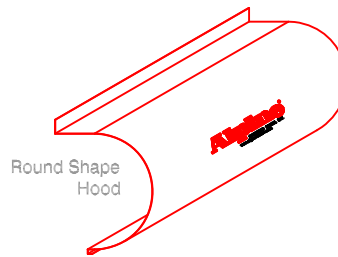
BOTTOM BAR DETAIL



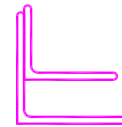
Hexagon Shape
Hood



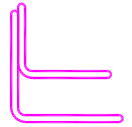
Square Shape
Hood



Round Shape
Hood



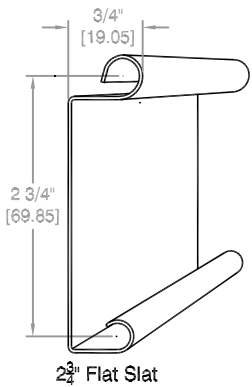
Structural
Angles Guide



Roll-Formed
Angles Guide

HOOD SHAPES AVAILABLE FOR THIS DOOR

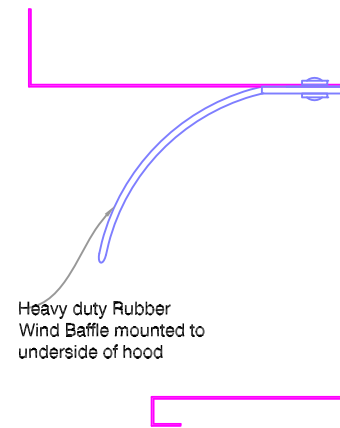
GUIDE OPTIONS



2 3/4" Flat Slat



Neoprene Astragal



Heavy duty Rubber
Wind Baffle mounted to
underside of hood

CURTAIN DETAIL

OBSTACLE EDGES AVAILABLE

WIND BAFFLE DETAIL

Distributed By:

Call your Alpine representative for additional options and safety products to help find the best Alpine door to suit your needs.

Manufactured by:

Alpine[®]
OVERHEAD DOORS, INC.

8 HULSE ROAD EAST SETAUKET, N.Y. 11733

TEL: (631)473-9300 FAX: (631)642-0800

© COPYRIGHT MAY 2009

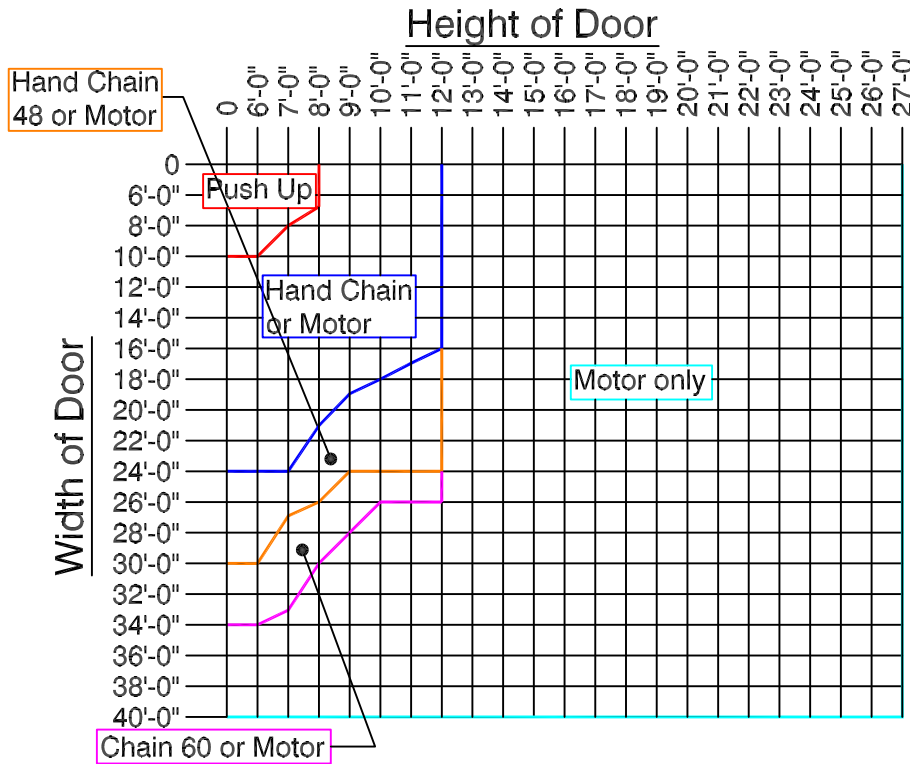
NOTE: MAXIMUM PIPE DEFLECTION ON ANY SIZE DOOR IS .034



Page#:

Page 3

Finding the minimum required operation for the size door you need.



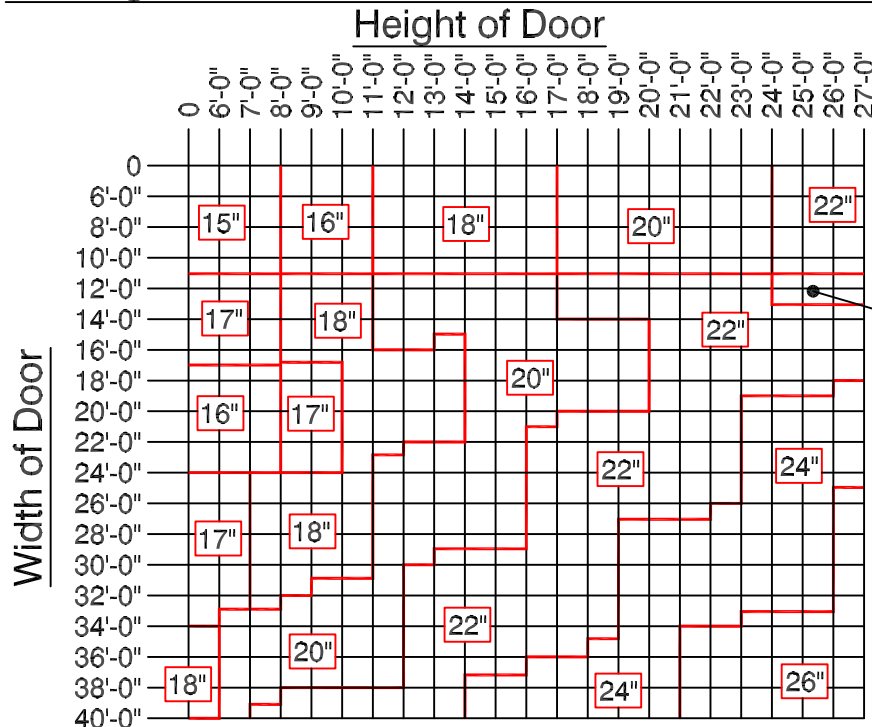
Operator Legend

- Manual Push Up Operation
- Hand Chain Operation
- Hand Chain with Gear Reduced 48
- Hand Chain with Gear Reduced 60
- Motor Operation Only

To use Chart: Find where your door width and height meet to find the minimum operation that may be used for that door size.

For example: The blue line indicates a Hand Chain Operation. Any size door on that line or above that line may use a Hand Chain, including the door sizes that fall into the Manual push up door. But, The Manual push up door may not be used for any door size below the line representing Push up operation. For any door size larger than what is represented here please consult your Alpine Overhead Doors, Inc. Factory. This Graph is for reference only, subject to change without notice.

Finding the minimum "B" bracket size for the door you need.



NOTE: Bracket sizes (B) may vary based on gauge of curtain. Bracket size is directly related to the pipe low moment arm deflection (not more than .03 inches per foot).

To use Chart: Find where your door width and height meet to find the minimum bracket size for your door. For any door size larger than what is represented here please consult your Alpine Overhead Doors, Inc. Factory. This Graph is for reference only, subject to change without notice.

Distributed By:

Manufactured by:

Alpine[®]
OVERHEAD DOORS, INC.
8 HULSE ROAD EAST SETAUKET, N.Y. 11733
TEL: (631)473-9300 FAX: (631)642-0800
© COPYRIGHT DEC 2009