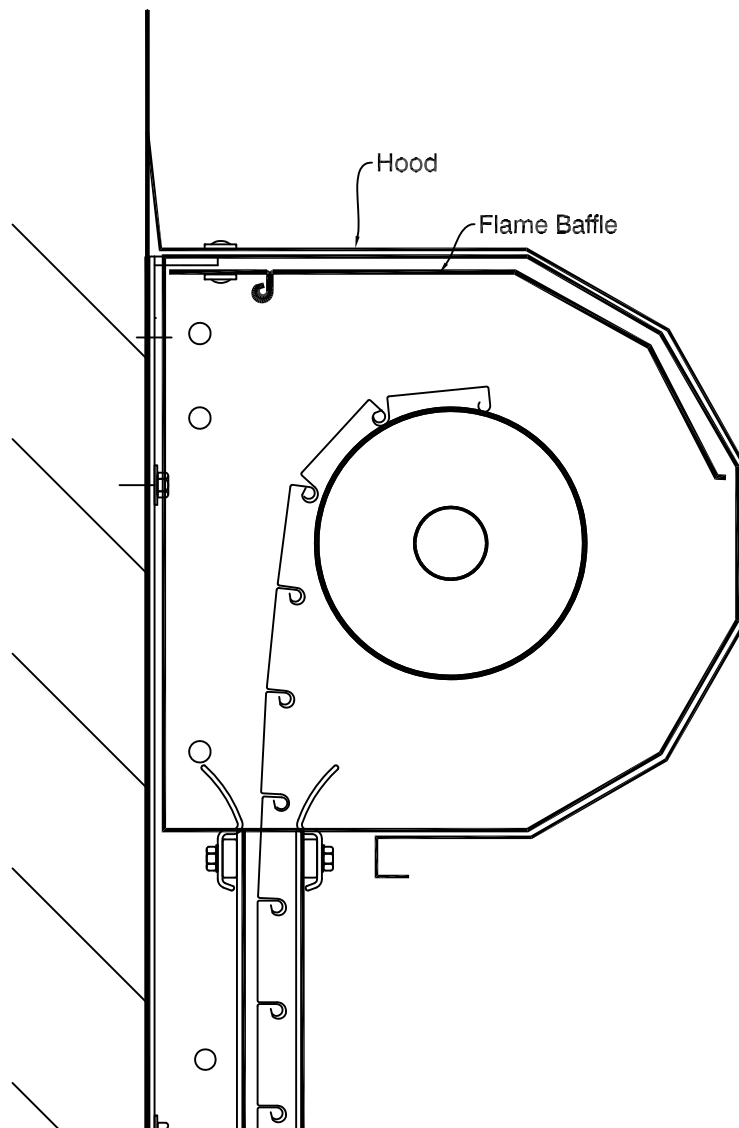


# Alpine®

OVERHEAD DOORS, INC.

8 HULSE ROAD, EAST SETAUKET, NY 11733  
TEL (631) 473-9300 FAX (631) 642-0800

## HOOD ATTACHEMENT AND FLAME BAFFLE



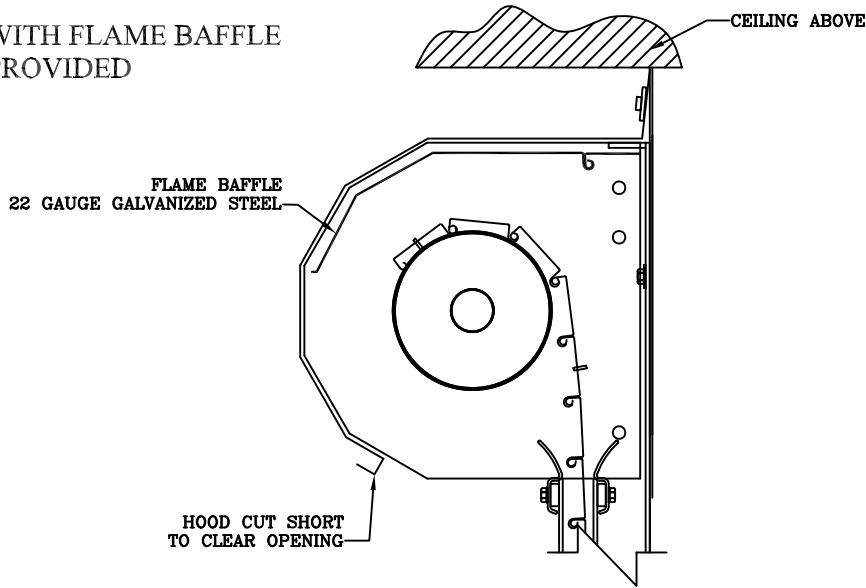
# Alpine®

OVERHEAD DOORS, INC.

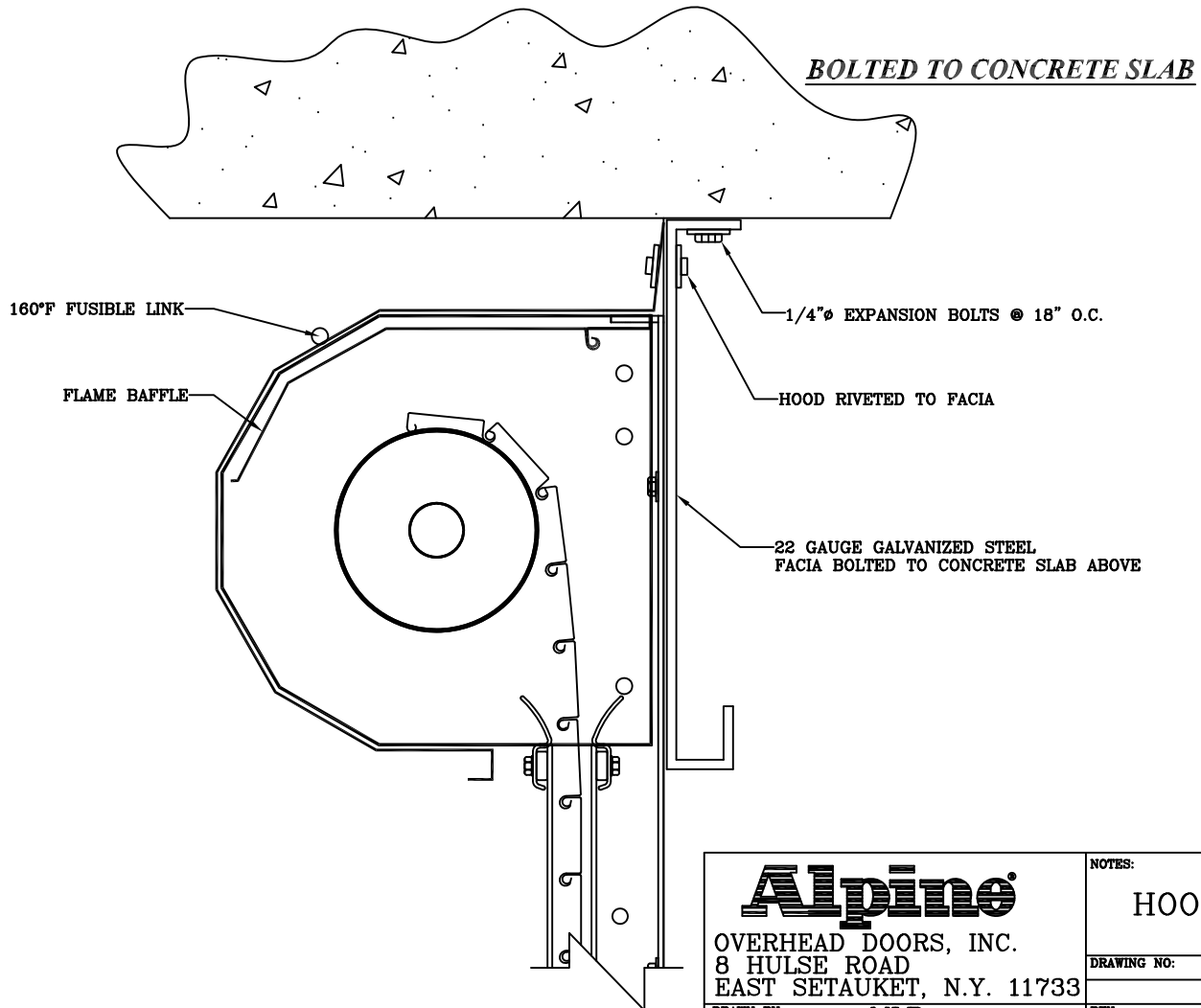
8 HULSE ROAD, EAST SETAUKET, NY 11733  
TEL (631) 473-9300 FAX (631) 642-0800

HOOD GENERAL DETAILS

WITH FLAME BAFFLE PROVIDED

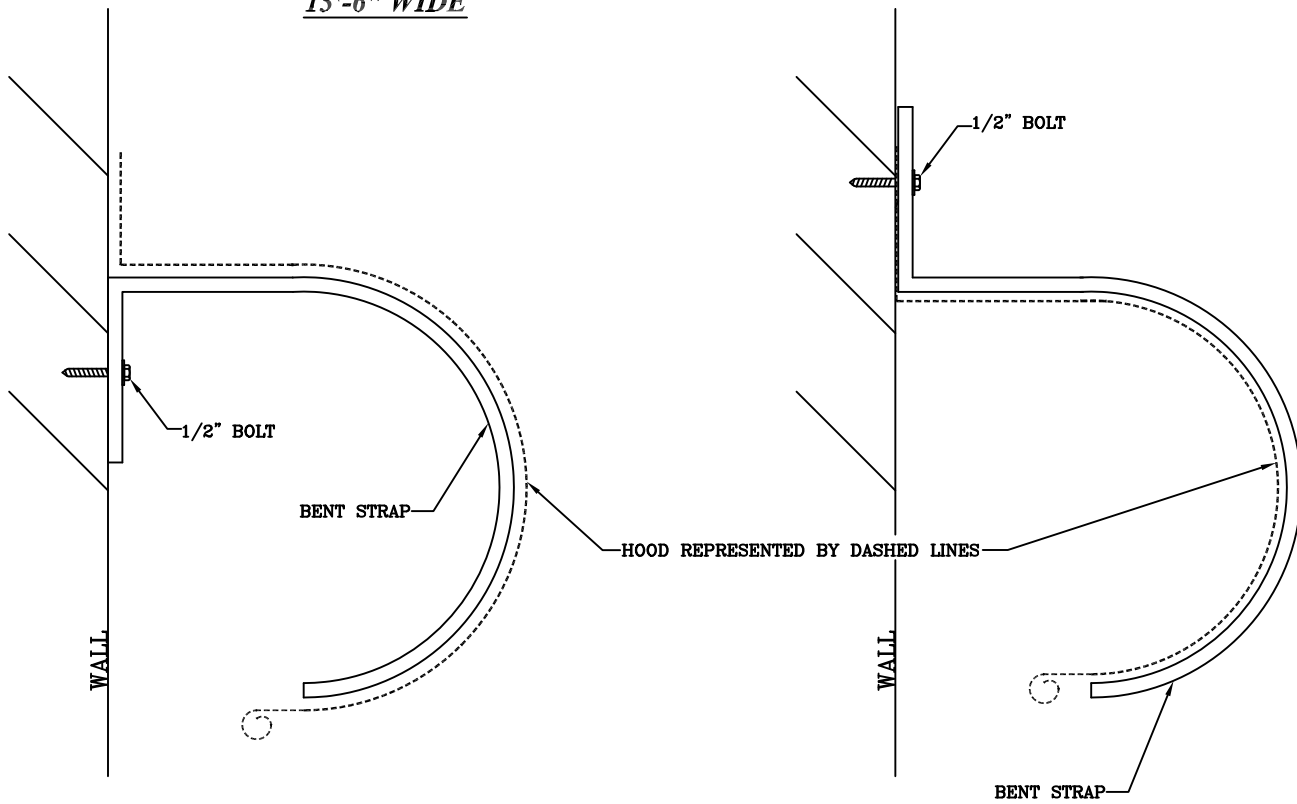


FLAME BAFFLE BACK FASCIA DETAILS



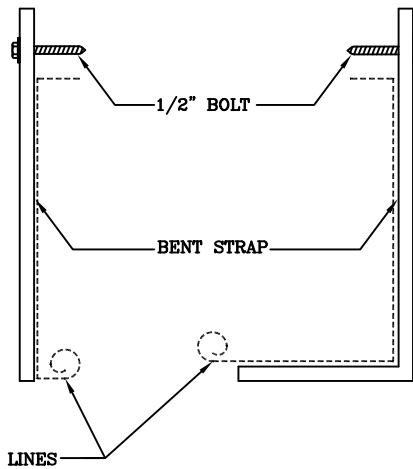
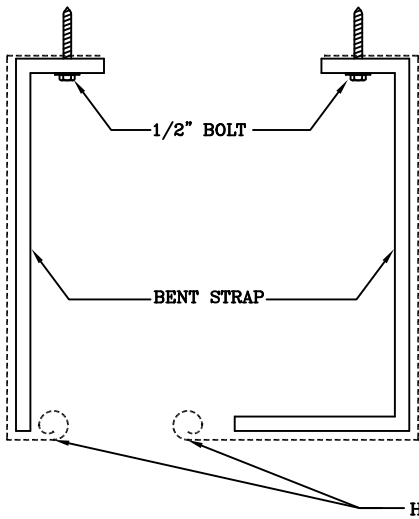
<p><b>Alpine</b>                  OVERHEAD DOORS, INC.                  8 HULSE ROAD                  EAST SETAUKET, N.Y. 11733</p>	NOTES:	HOOD ASSEMBLY
	DRAWING NO:	
	REV:	SCALE: NONE
	DATE: 04/08/08	PAGE #: 2

**TYPICAL DETAILS OF HOOD SUPPORTS FOR OPENINGS OVER  
13'-6" WIDE**



**HOOD SUPPORT PLACED  
INSIDE OF HOOD**


**HOOD SUPPORT PLACED  
OUTSIDE OF HOOD**



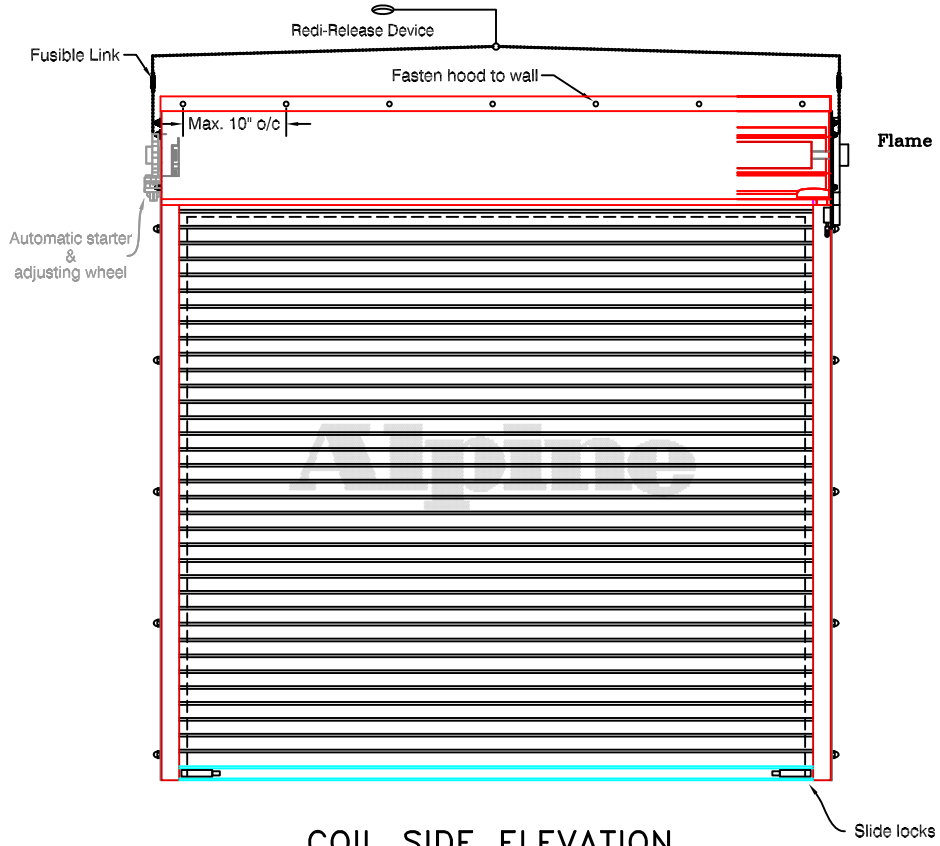
**HOOD SUPPORT PLACED  
INSIDE OF HOOD**

**HOOD SUPPORT PLACED  
OUTSIDE OF HOOD**

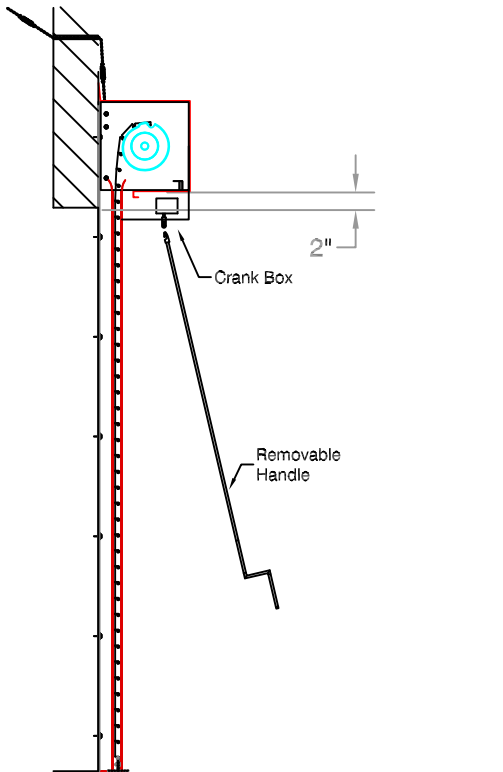
NOTE: OTHER DESIGNS WILL BE USED WHERE REQUIRED BY NFPA 80 OR BY SPECIAL BUILDING CONSTRUCTION.

 <b>OVERHEAD DOORS, INC.</b> 8 HULSE ROAD EAST SETAUKET, N.Y. 11733	NOTES:
	HOOD ASSEMBLY
	DRAWING NO:
	REV:                      SCALE: NONE
DATE:                      04/08/08	PAGE #: 3


Door is shown right hand drive, left hand is opposite.



COIL SIDE ELEVATION



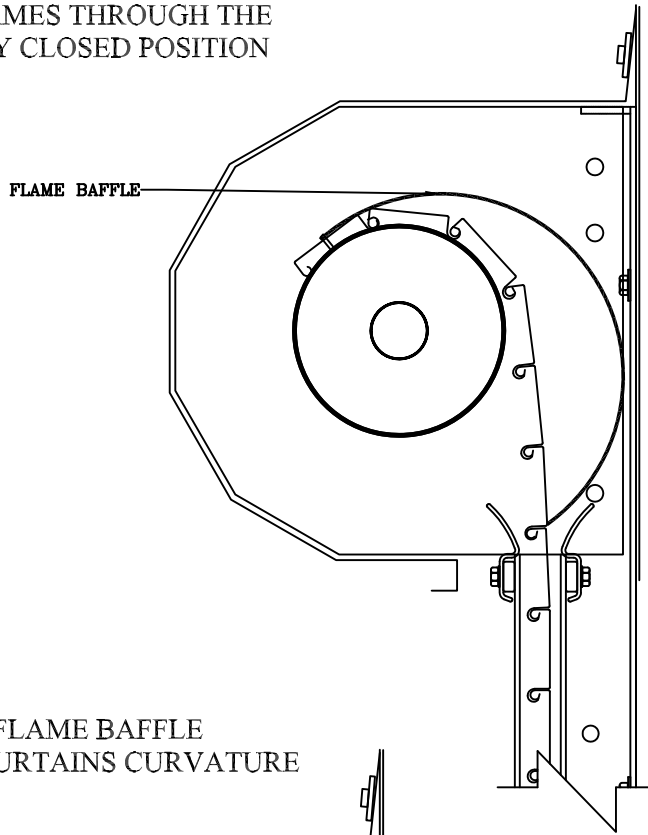
VERTICAL SECTION

 <b>OVERHEAD DOORS, INC.</b> 8 HULSE ROAD EAST SETAUKET, N.Y. 11733		NOTES:
		HOOD ASSEMBLY
DRAWN BY: <b>MLB</b>		DRAWING NO:
DATE: <b>04/09/08</b>	REV:	SCALE: <b>NONE</b>
	PAGE #:	<b>4</b>

FLAME BAFFLE DETAILS

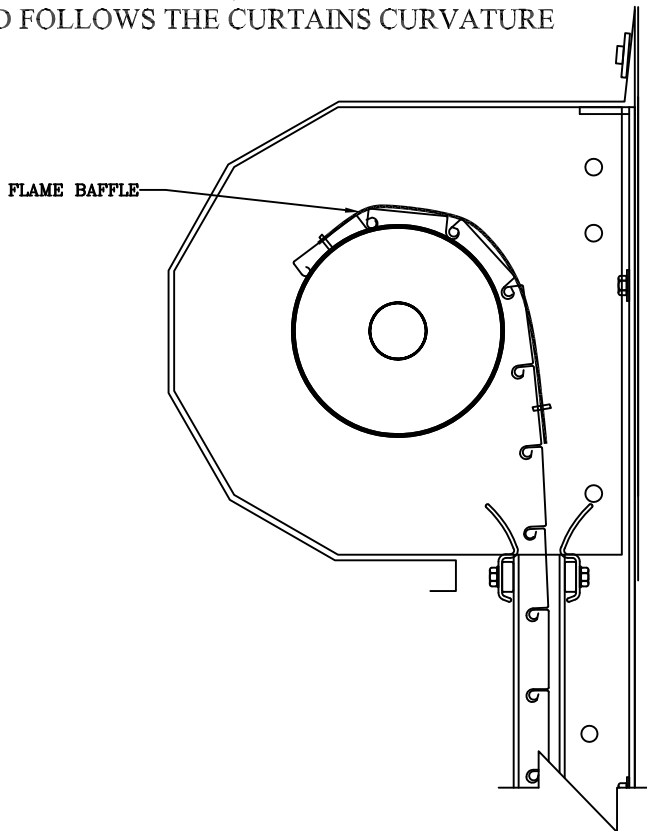
BUCKLE OUT

FLAME BAFFLE BUCKLES OUT AGAINST LINTEL  
TO PREVENT PENETRATION OF FLAMES THROUGH THE  
HEAD WHEN DOOR IS IN THE FULLY CLOSED POSITION



UNBUCKLE

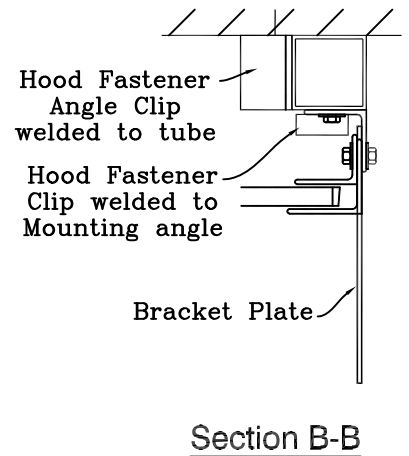
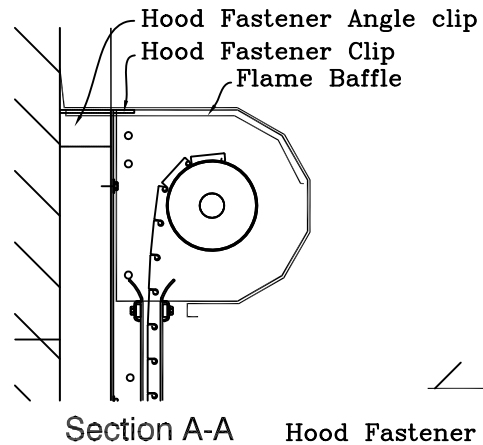
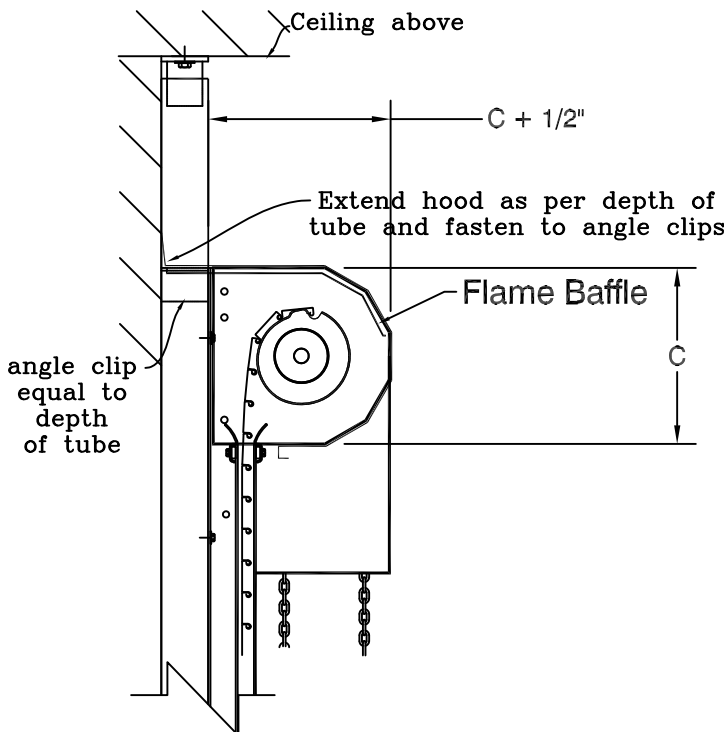
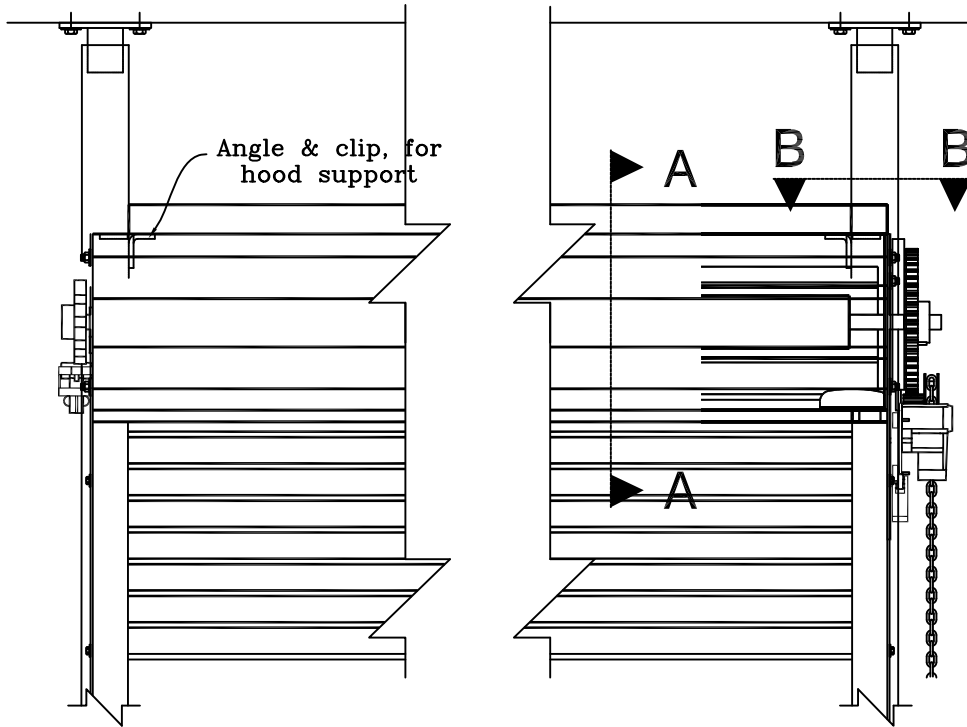
WHEN CURTAIN BEGINS TO OPEN, FLAME BAFFLE  
UNBUCKLES AND FOLLOWS THE CURTAIN'S CURVATURE  
(OR COIL)



<b>Alpine</b> OVERHEAD DOORS, INC. 8 HULSE ROAD EAST SETAUKET, N.Y. 11733	NOTES:
	FLAME BAFFLE
	DRAWING NO:
	REV: SCALE: NONE
DRAWN BY: MLB	PAGE #: 5
DATE: 04/09/08	

**HOOD ATTACHMENT FOR TUBE**

Door is shown right hand drive, left hand is opposite.



<p><b>Alpine</b> OVERHEAD DOORS, INC. 8 HULSE ROAD EAST SETAUKET, N.Y. 11733</p>		NOTES:
		FLAME BAFFLE
DRAWN BY: <b>MLB</b>		DRAWING NO:
DATE: <b>04/09/08</b>	REV:	SCALE: <b>NONE</b>
	PAGE #:	<b>6</b>