

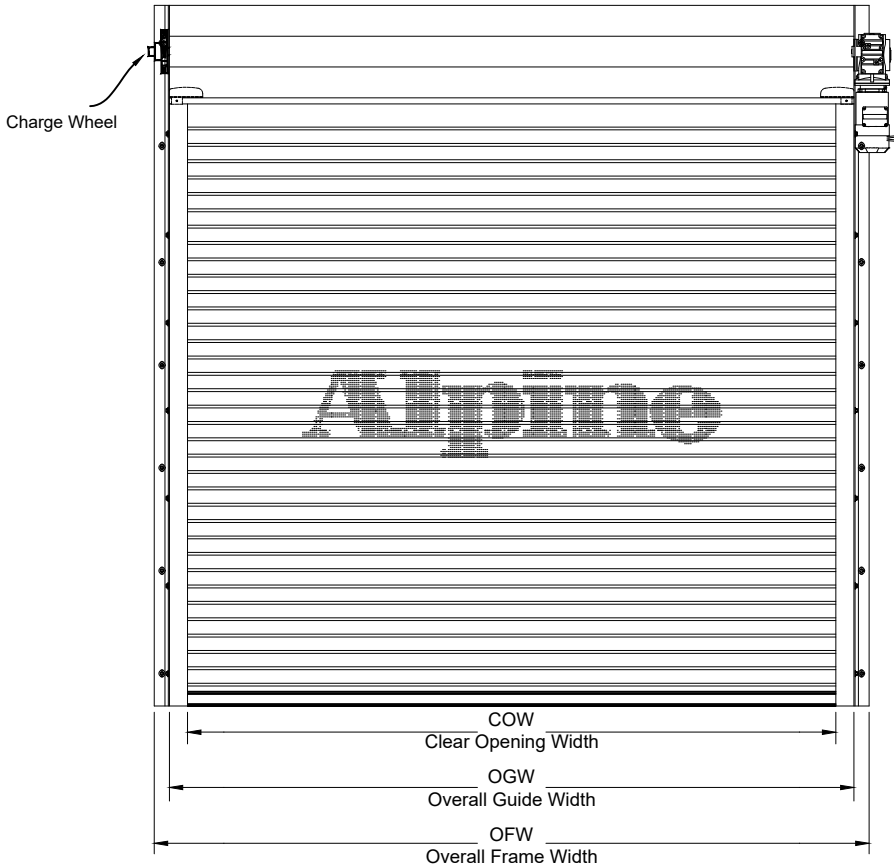
Speed-Tite IMB

Variable Slat

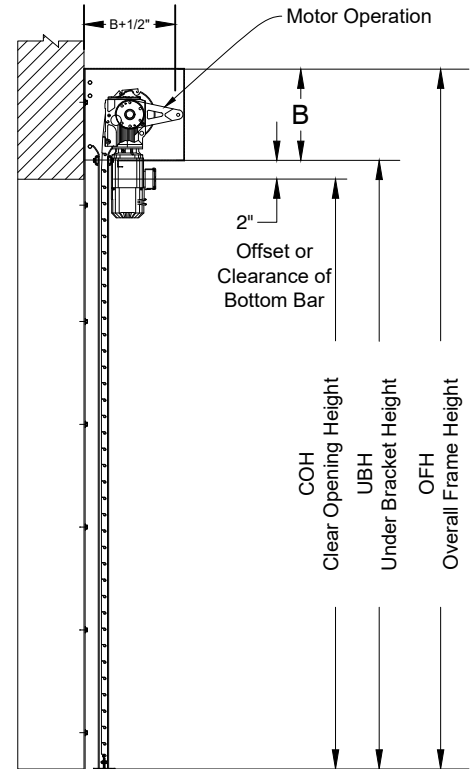


Motor Operated
Face of Wall Mounted

Page #: Page 1



COIL SIDE ELEVATION

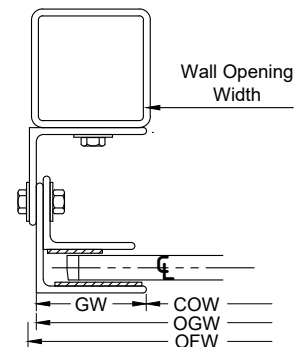
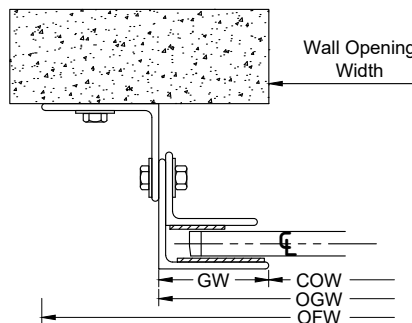
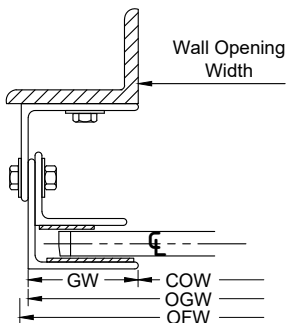


VERTICAL SECTION

FACE MOUNTED TO STEEL

FACE MOUNTED TO MASONRY

FACE MOUNTED TO TUBE



GUIDE SECTION

Notes:

1. See page 2 for more options.

SALES REP.:

CUSTOMER:

JOB NAME:

NUMBER:

Manufactured by:



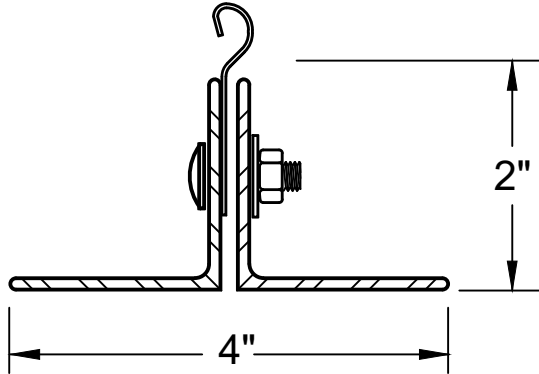
OVERHEAD DOORS, INC.
8 HULSE RD. E. SETAUKET, N.Y. 11733
TEL: (631)473-9300 FAX: (631)642-0800

© COPYRIGHT January 2021

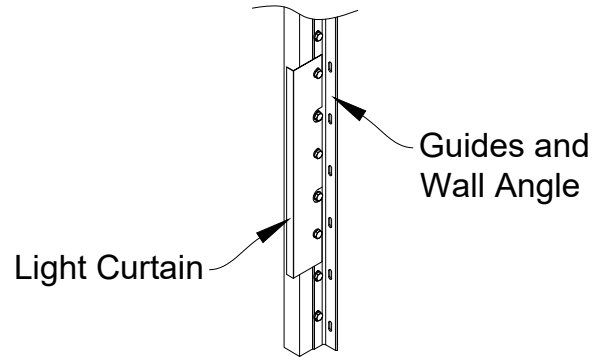


Motor Operated
Face of Wall Mounted

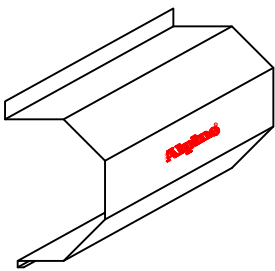
Page #: Page 2



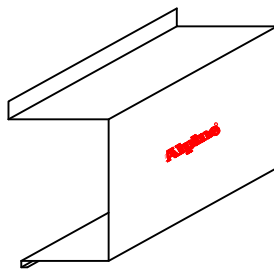
BOTTOM BAR DETAIL



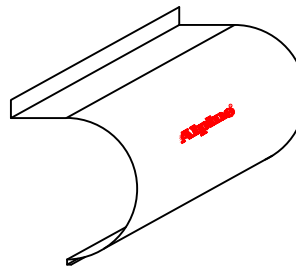
SAFETY ENTRAPMENT PROTECTION



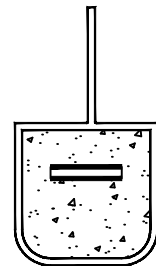
Hexagon Hood



Square Hood



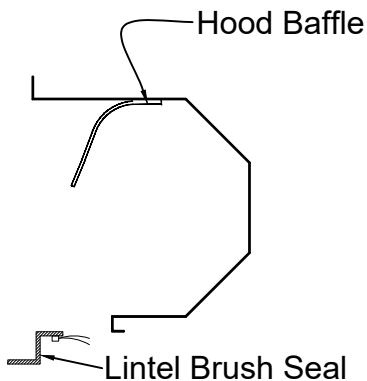
Round Hood



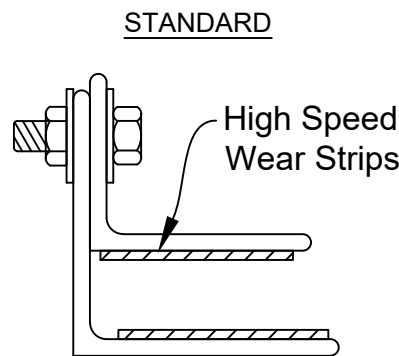
Electric Sensing Edge

HOOD SHAPES AVAILABLE FOR THIS DOOR

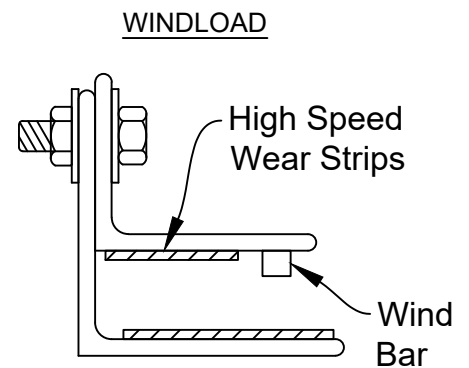
OBSTACLE EDGE



OPTIONAL HOOD SEAL



STANDARD



WINDLOAD

GUIDE DETAILS

Call your Alpine representative for additional options and safety products to help find the best Alpine door to suit your needs.

Manufactured by:



OVERHEAD DOORS, INC.
8 HULSE RD. E. SETAUKET, N.Y. 11733
TEL: (631)473-9300 FAX: (631)642-0800

© COPYRIGHT January 2021