

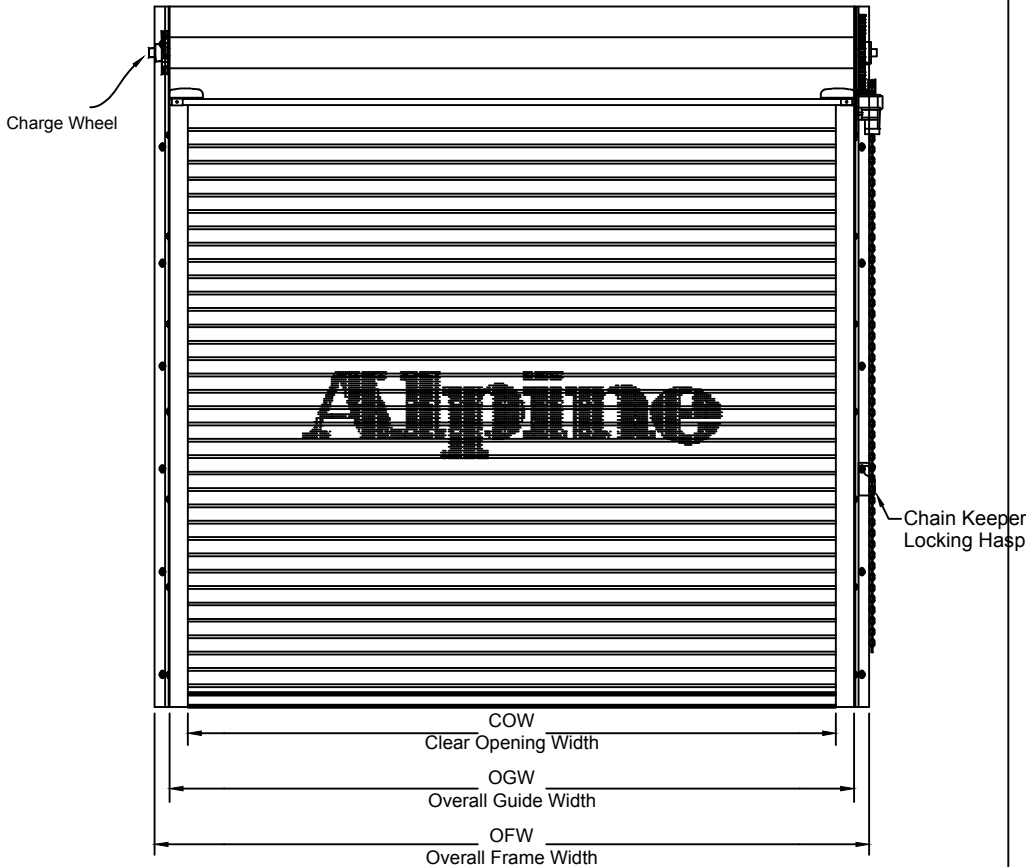
FEMA Door

IMB-V9 Flat Slat

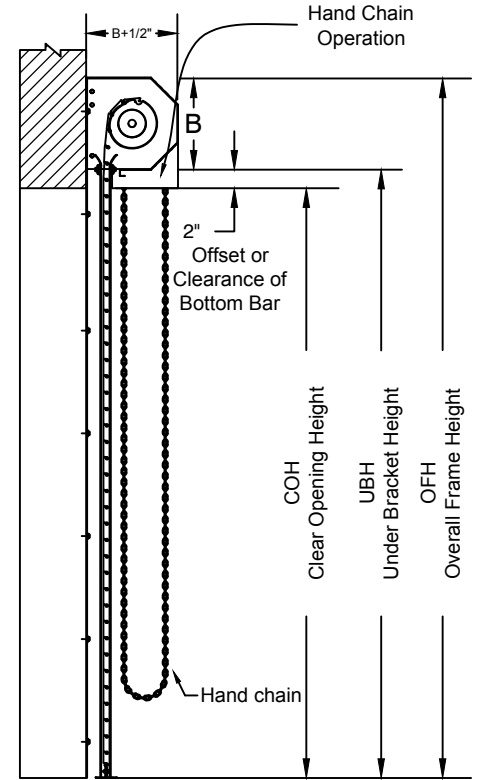


Motor Operated
Face of Wall Mounted

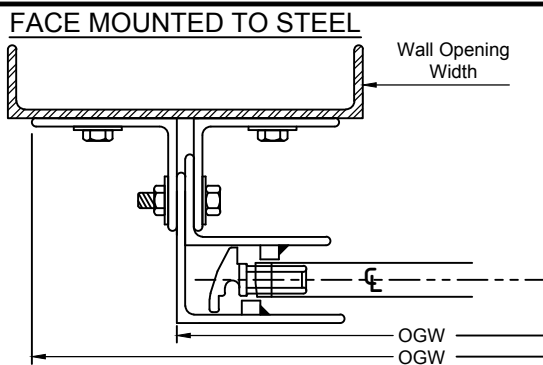
Page #: Page 1



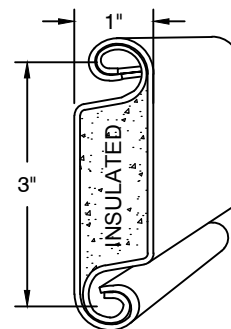
COIL SIDE ELEVATION



VERTICAL SECTION



GUIDE SECTION



CURTAIN DETAIL

Notes:

1. See page 2 for more options.

SALES REP.:

CUSTOMER:

JOB NAME:

NUMBER:

Manufactured by:



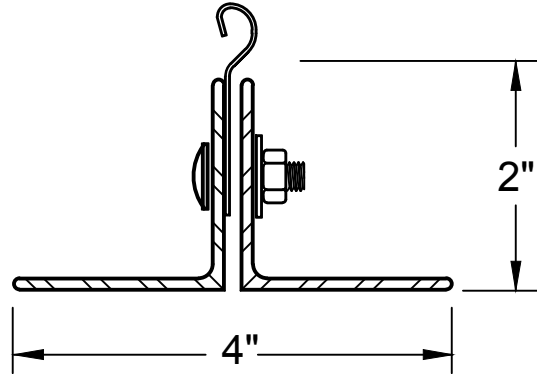
OVERHEAD DOORS, INC.
8 HULSE RD. E. SETAUKET, N.Y. 11733
TEL: (631)473-9300 FAX: (631)642-0800

© COPYRIGHT January 2021

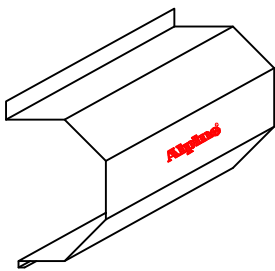


Motor Operated
Face of Wall Mounted

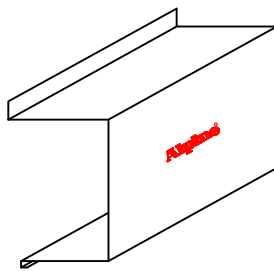
Page #: Page 2



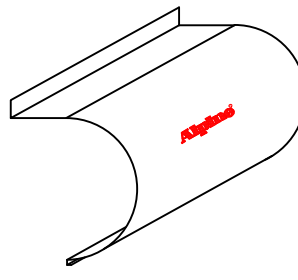
BOTTOM BAR DETAIL



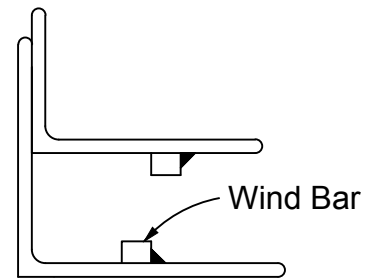
Hexagon Hood



Square Hood

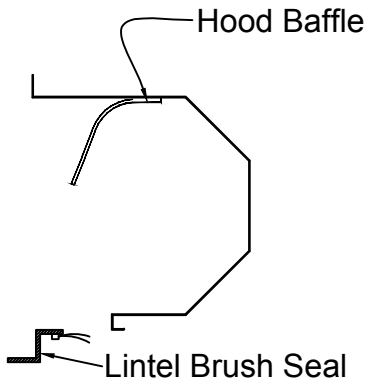


Round Hood

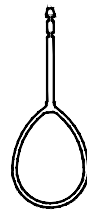


GUIDE DETAIL

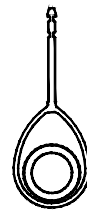
HOOD SHAPES AVAILABLE FOR THIS DOOR



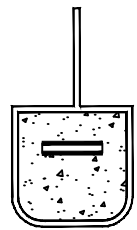
HOOD SEAL DETAIL



Neoprene Astragal



Pneumatic Sensing Edge



Electric Sensing Edge

OBSTACLE EDGES AVAILABLE

Call your Alpine representative for additional options and safety products to help find the best Alpine door to suit your needs.

Manufactured by:



OVERHEAD DOORS, INC.
8 HULSE RD. E. SETAUKET, N.Y. 11733
TEL: (631)473-9300 FAX: (631)642-0800

© COPYRIGHT January 2021