

## Fire-Tite® Features

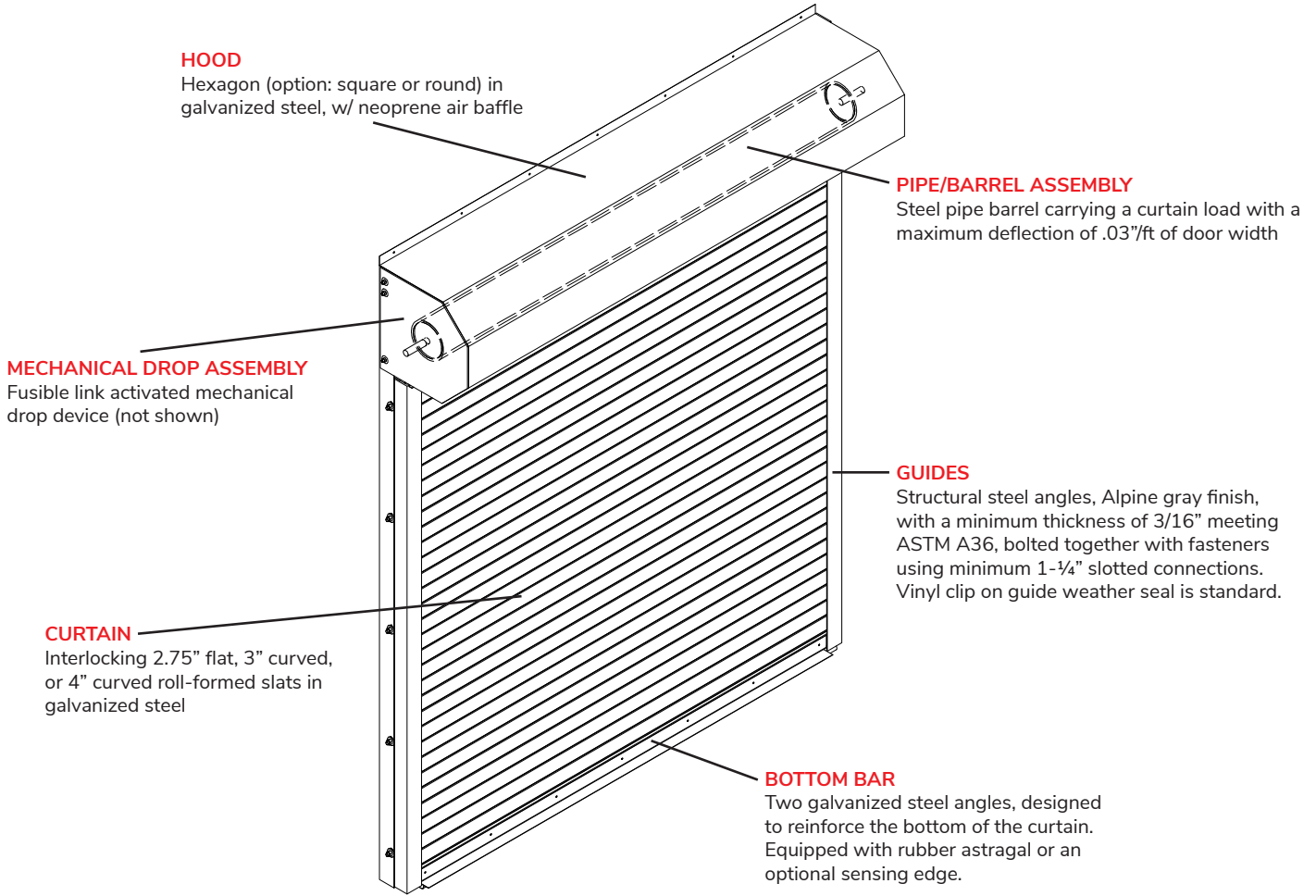
- High quality rolling metal fire doors at a competitive price
- Optional internal flame baffle prevents infiltration through header
- Approved for roll down stainless steel fire doors
- Oversize UL label up to 56'x30'
- Built in accordance with requirements specified by Underwriters Laboratories Inc.



Fire-Tite® Doors are used for warehouses, hospitals, educational facilities, office buildings, multi-tenant residential buildings, manufacturing facilities, airports, hotels, theaters, train stations, police stations, correctional facilities, and retail applications among many others.

## Functional Benefits

- These doors provide access control and security protection under normal use and will close automatically in the event of a fire, serving as fire stopping to contain the spread of a fire
- Conventional design offers push-up operation, where Auto Fire-Tite® products do not (max. push-up dimension: 10'ft wide x 10'ft high)
- Hand Chain or Motor Operation available for larger sizes.
- Fire Doors activated only by 165° fusible link (Conventional) carry the lowest upfront cost available
- **3 hr Rating** – 3 hour approved for doors in dividing fire walls
- **1-1/2 hr Rating** – 1.5 hour approved for doors, in vertical shaft openings
- **3/4 hr Rating** – 0.75 hour approved for doors in a corridor or a room-partition
- **4 Hour Rated (Optional)** – Consult factory for more information
- Fire rated doors over 152 square feet will receive a Classified UL label marked “OVERSIZE ROLLING STEEL FIRE DOOR” that includes the hourly rating as well as the certification number



**Operational Requirements**

- Manual push up, hand chain, or motor operation

**Optional Materials and Finishes**

- **Material Options:** #4 Stainless Steel
- **Finish Options:** ExoShield™ Powder Coating

**Product Selection Guide**



Better Performance

