

Auto Smoke Fire-Storm® IMB Features

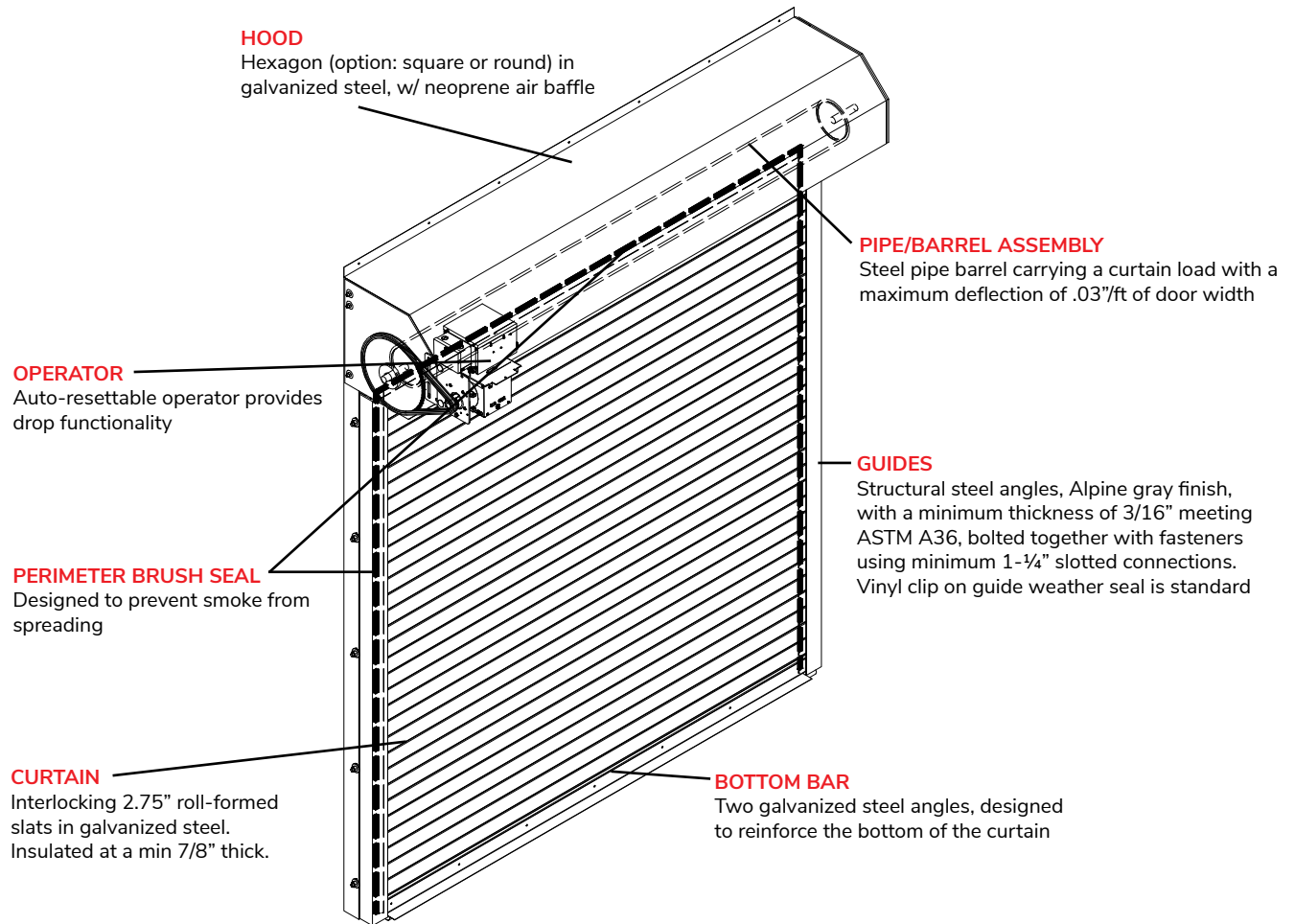
- High quality rolling metal fire doors with insulated metal back
- Approved by Dade County Florida and Florida Building Commission to withstand 187 mph winds
- Doesn't need to be mechanically reset after testing
- Smoke rated



Auto Smoke Fire-Storm® IMB Doors are used for warehouses, hospitals, educational facilities, office buildings, multi-tenant residential buildings, manufacturing facilities, airports, hotels, theaters, train stations, police stations, correctional facilities, and retail applications among many others.

Functional Benefits

- Insulated front slat has been missile tested to ensure safety against flying debris
- Design pressure of +60 psf & -60 psf, 1.5 Safety factor, 90+/- psf
- Eliminates all mechanical fire gears on the brackets and the need to reset spring tension
- Perimeter brush seal designed to prevent spread of smoke
- **3 hr Rating** – 3 hour approved for doors in dividing fire walls
- **1-1/2 hr Rating** – 1.5 hour approved for doors, in vertical shaft openings
- **3/4 hr Rating** – 0.75 hour approved for doors in a corridor or a room-partition
- **4 Hour Rated (Optional)** – Consult factory for more information
- Fire rated doors over 152 square feet will receive a Classified UL label marked "OVERSIZE ROLLING STEEL FIRE DOOR" that includes the hourly rating as well as the certification number



Operational Requirements

- Hand chain, hand crank or operator with auto rest functionality

Optional Materials and Finishes

- **Material Options:** #4 Stainless Steel
- **Finish Options:** Finish coat of Grey, White or Tan or Choice Exoshield™ Powder Coating

Product Selection Guide

More Economical

