

Speed-Grille™ Features

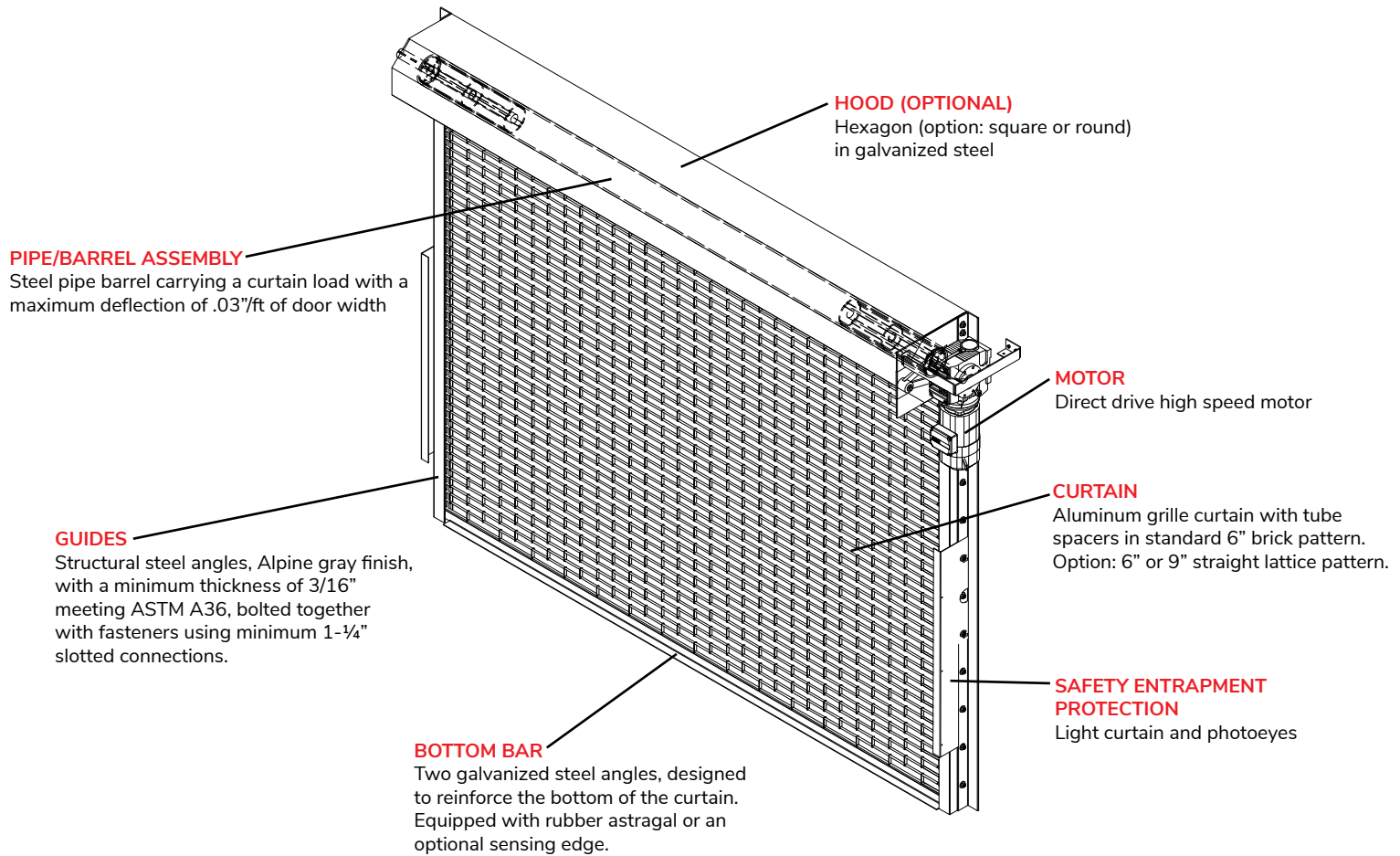
- High speed heavy duty security grille provides superior performance, protection and visibility
- Guides designed using a 3-piece structural steel angle at a minimum of 3/16" thick for maximum durability
- Springless design maximizes uptime
- Faster cycles increase productivity



Alpine's Speed-Grille™ high speed, heavy duty overhead coiling grilles are ideal for parking garages, high security entranceways, municipal facilities, storefronts, malls and shopping centers. Perfect for any application requiring the benefits of high speed and security with heavy duty specifications.

Functional Benefits

- Curtains are made of solid 5/16" hot dipped galvanized steel rods with vertical aluminum links and horizontal sleeves
- Variable frequency direct drive operator allows for increased speeds (up to 24" up, 12" down average) and increased longevity with soft start/stop features
- No sprocket/chain driven system, which tend to wear over time
- Standard safety and entrapment features include light curtains and photo eyes
- Optional upgrade from aluminum to stainless steel for links and sleeves
- Can be mounted on either the exterior or interior
- Warrantied up to 300,000 cycles or 2 years



Operational Requirements

- Direct drive motor operation only

Optional Materials and Finishes

- Material Options: Stainless Steel or Aluminum
- ExoShield™ Powder Coating (not available on curtain)

Product Selection Guide

More Economical

