

## Auto Fire-Shut™ Features

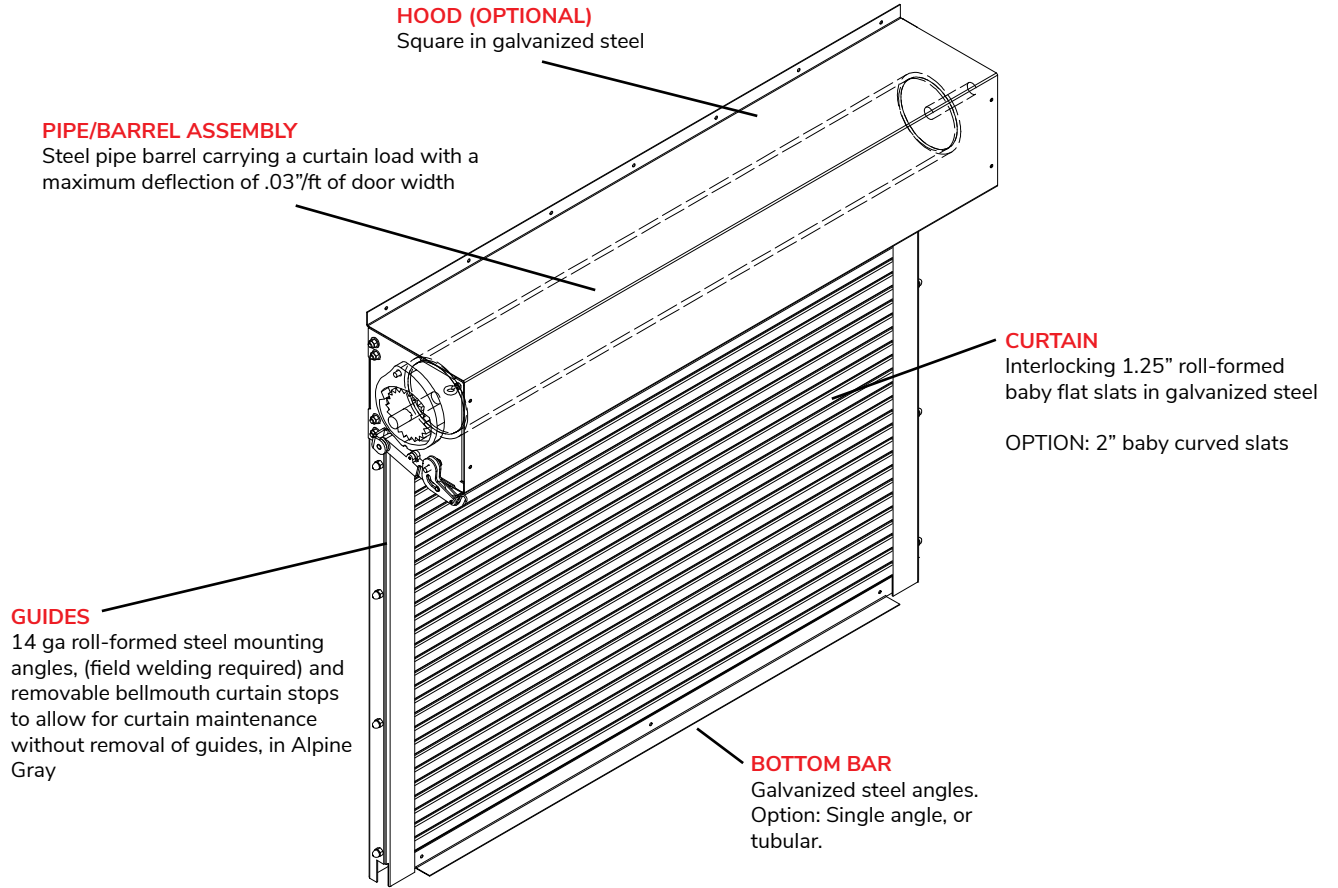
- Auto resettable fire rated counter shutter
- U.L. classified 3/4, 1-1/2 or 3 hours of protection
- Coils upward, requiring little side or head room
- Built in accordance with the requirements specified by Underwriters Laboratories Inc.



Auto Fire-Shut® shutters are ideal for use in school cafeterias, office windows, healthcare facilities, hospitals, airport concession, displays and other openings where fire protection is needed.

### Functional Benefits

- These shutters function as standard counter shutters with the additional benefit of fire containment which is activated automatically in the event of a fire
- Activates upon melting of 165° fusible link.
- Alpine's Fire-Shut® door products also carry a 3 HR, 1-1/2 HR or 3/4 HR fire rating under UL File GSNV.
- Classified for openings up to 13'6" wide x 12' high
- Auto Fire-Shut product offers a complete resettable fire door system while enabling normal operation as hand chain, hand-crank or motor operated



### Operational Requirements

- Manual push up, hand crank, hand chain or motor operated. All operators can be adapted to specific conditions.

### Optional Materials and Finishes

- Galvanized, Stainless Steel or Pre-Painted
- Exo-Shield™ LCF powder coating
- Guides available in extruded aluminum or galvanized steel

## Product Selection Guide

More Economical



Better Performance

