

## Auto Fire-Storm® Features

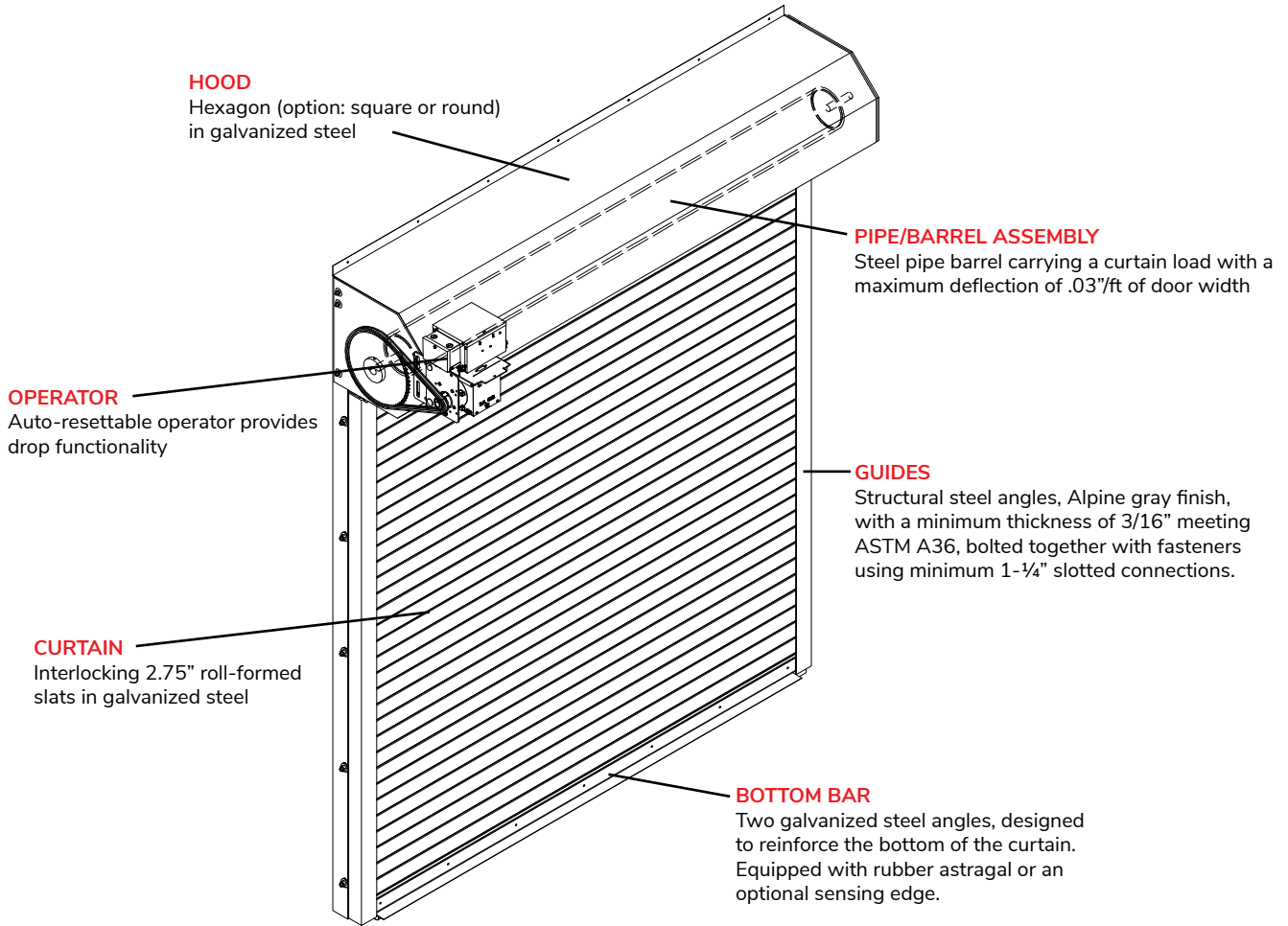
- UL rated doors and approved for smoke rated fire doors with smoke seal option
- Auto-resettable design allows for maximum uptime and alarm integration
- Oversize UL label for larger doors
- Windstorm doors built in accordance with the requirements specified by Underwriters Laboratories Inc.



Alpine's Auto Fire-Storm® Doors are widely used where there is a high level of storms, gusty wind conditions and the need for a fire rating. Ideal for storm shelters, schools, office buildings, emergency call centers, police stations, post offices or anywhere that may be subject to hurricanes, or tornadoes. These doors protect both people and property from injury due to flying debris.

## Functional Benefits

- Effective, strong and come in flat interlocking slat designs with option for perimeter smoke seals
- Design pressure of +60 psf & -60 psf, 1.5 Safety factor, 90+/- psf with Dade County and FBC labeling available
- Doors can be hand-crank, hand-chain or motor operated. All operators can be adapted to specific conditions.
- Air infiltration – manufactured to meet 2015. IECC®, ASHRAE®90.1 and California's Title 24, tested independently to meet 0.3 CFM/FT



### Operational Requirements

- Choice of hand chain, removable awning type crank, or motor operation
- Perimeter smoke seal for UL smoke rating

### Optional Materials and Finishes

- Material Options: Stainless Steel –
- Finish Options: Tan, White or Grey; or ExoShield™ Powder Coating

## Product Selection Guide

More Economical



Better Performance

