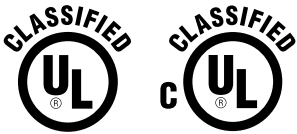


Auto Fire-Tite® Features

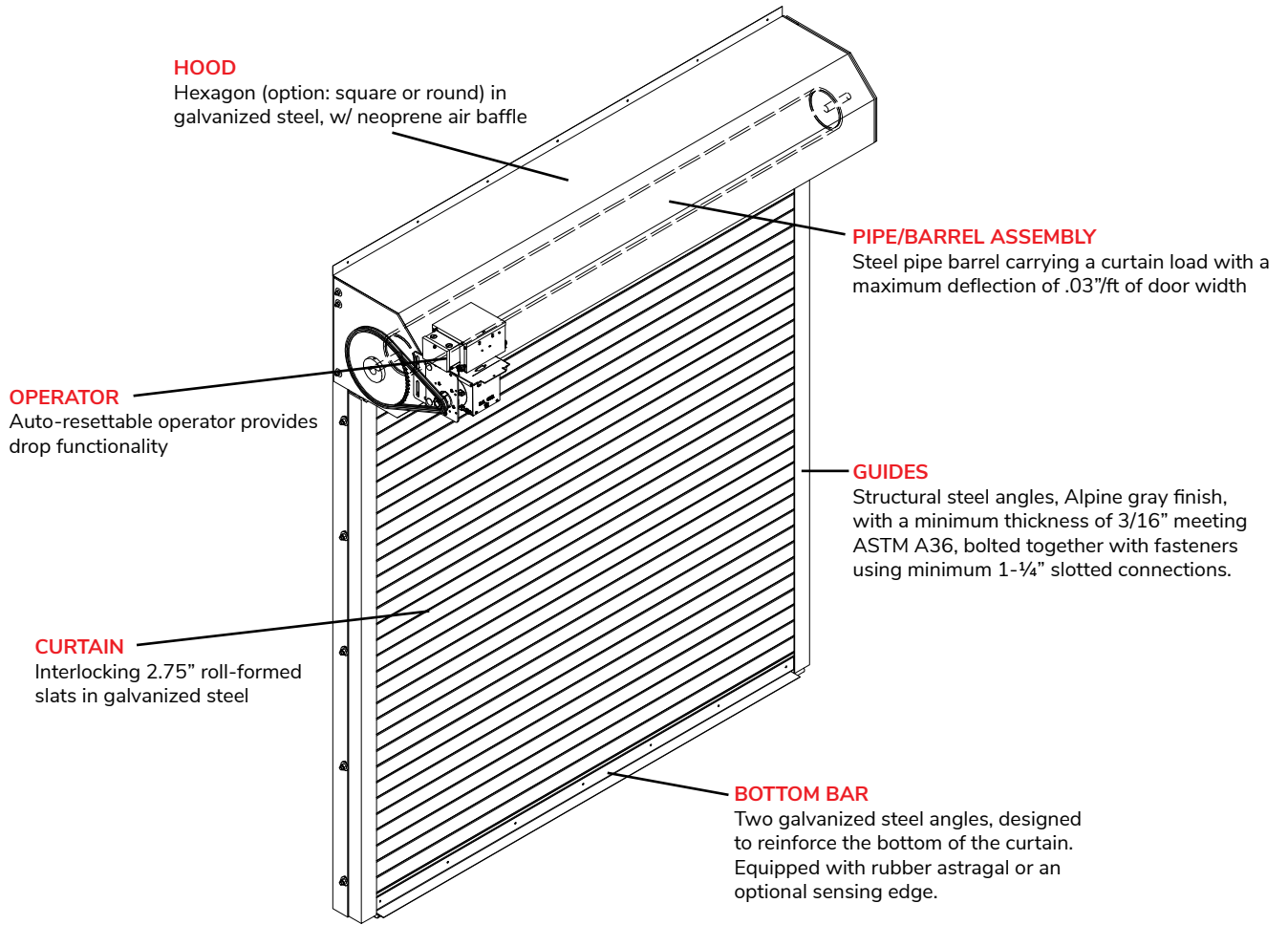
- Advanced roll up fire door with Redi-Reset operating devices
- Optional internal flame baffle prevents infiltration through header
- Approved for stainless steel fire doors
- Oversize UL label up to 56' x 30'
- This fire rated door is built in accordance with the requirements specified by Underwriters Laboratories Inc.



Auto Fire-Tite® Doors are used for warehouses, hospitals, educational facilities, office buildings, multi-tenant residential buildings, manufacturing facilities, airports, hotels, theaters, train stations, police stations, correctional facilities, and retail applications among many others.

Functional Benefits

- These doors provide access control and security protection under normal use and will close automatically in the event of a fire serving as fire stopping to contain the spread of a fire
- Eliminates all mechanical fire gears on the brackets and the need to reset spring tension
- **3 hr Rating** – 3 hour approved for doors in dividing fire walls
- **1-1/2 hr Rating** – 1.5 hour approved for doors, in vertical shaft openings
- **3/4 hr Rating** – 0.75 hour approved for doors in a corridor or a room-partition
- **4 Hour Rated (Optional)** – Consult factory for more information
- Fire rated doors over 152 square feet will receive a Classified UL label marked “OVERSIZE ROLLING STEEL FIRE DOOR” that includes the hourly rating as well as the certification number



Operational Requirements

- Hand chain, hand crank, fail safe or non fail safe electronic operation

Optional Materials and Finishes

- **Material Options:** #4 Stainless Steel
- **Finish Options:** Finish coat of Grey, White or Tan or Choice Exoshield™ Powder Coating

Product Selection Guide

More Economical



Better Performance

